

THE FLAGPOLE BEACON®

Internal Cam Cleat 359°

THE INFORMATION CONTAINED IN THIS DRAWING IS SOLE PROPERTY OF THE FLAG COMPANY, INC. ANY REPRODUCTION IN PART OR IN WHOLE WITHOUT WRITTEN PERMISSION OF THE FLAG COMPANY, INC. IS PROHIBITED.

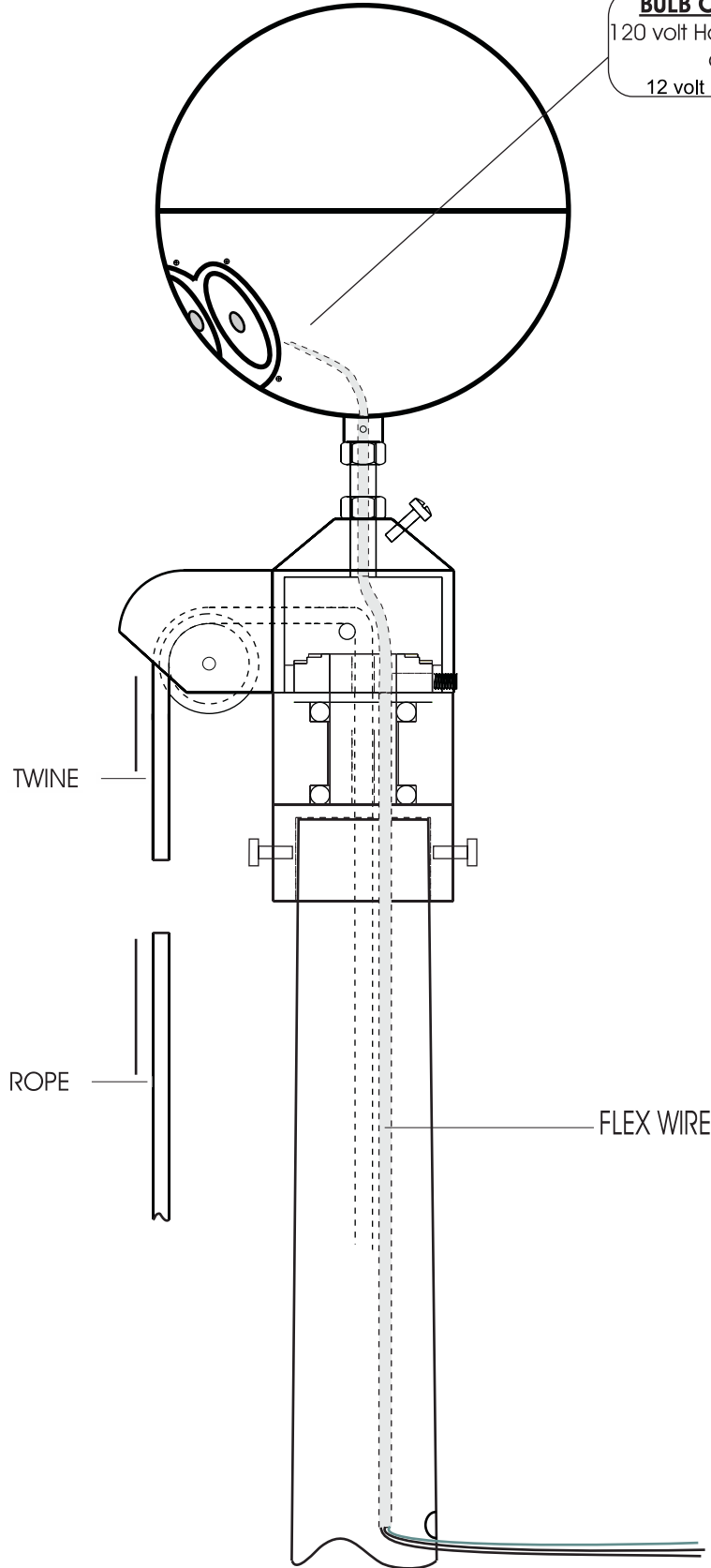


THE FLAG COMPANY, INC.

DRAWN JPW	1-27-04	THE FLAG COMPANY BEACON™	
CHECKED DOW	1-27-04	SIZE	DWG NUMBER
DESIGNER DOW	1-27-04	A	CAM-359
APPROVED Mike L.	1-27-04	REV -	SHEET 1 OF 1
SCALE None			

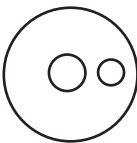
BULB OPTIONS

120 volt Halogen Bulb
or
12 volt LED Bulb



ROPE INSTRUCTIONS

1. DO NOT REMOVE TWINE BEFORE SECURING TO ROPE
2. SECURE ROPE END TO END OF TWINE
3. UNTIE TWINE AND PULL ROPE THROUGH NEW CAM
4. SECURE BEACON ON POLE



Pole Adapter

Customer P.O. #: _____ Date: _____ Customer Name: _____
 Factory Order #: _____ Quantity: _____ Project Name: _____
 Pole Sections: _____ Finish: _____ Architect Name: _____

THE FLAGPOLE BEACON®

Cam Installation Instructions

Installation should be performed by a qualified electrician. All wiring must comply with state and local codes.

***Retro Fit Beacons - Skip step 2**

***New pole installation - Start at step 2**

1. Drill 11/16" dia. hole in flagpole at ground level. (Flash collar will hide wire)
2. Dig a 3" or 4" trench from ground sleeve to power supply, and then drill a 11/16" hole to line up with the 3" or 4" trench.
3. Thread rope through beacon, drop rope and wire down center of pole.
4. Attach beacon to flagpole (untwist any tangled wires).
5. Using solid copper wire, make a small hook on one end that will pass through 11/16" hole in the flagpole.
6. Insert hook into flagpole & pull wire through, leaving some slack. Run wire through grommet and secure to pole.
7. Erect flagpole.
8. Install necessary conduit into foundation sleeve. (Check Local Codes)

Bulb Changing Instructions

1. Disconnect power from beacon.
2. Loosen retainer clips (3) using a phillips head screwdriver while holding bulbs in place.
3. Remove bulbs from sockets. (Caution: glass can break causing injury.)
4. Carefully insert new bulbs making sure not to apply too much pressure.
5. Tighten clips back into place evenly.

NOTE: It is strongly recommended that both bulbs be replaced at the same time.