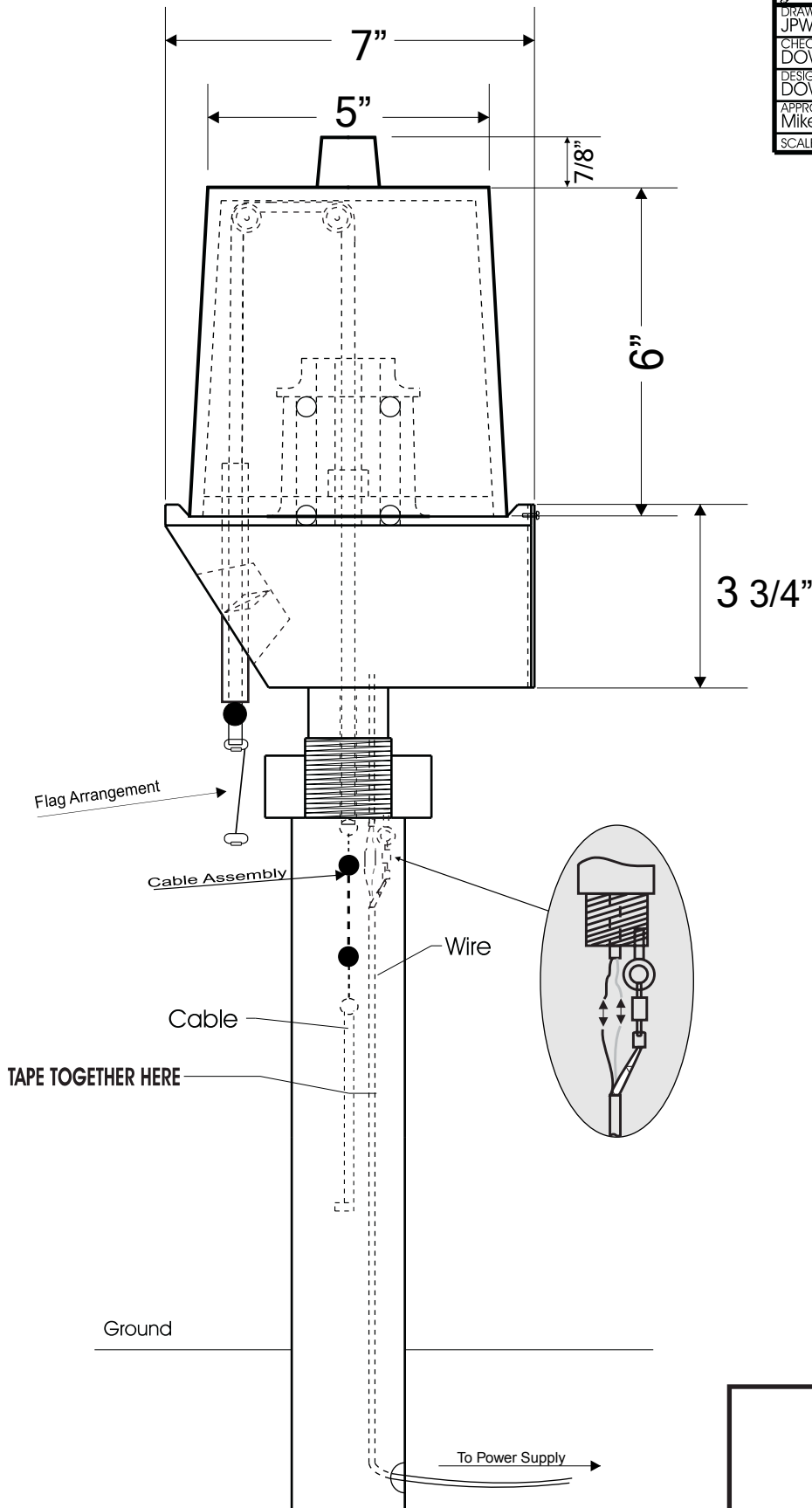


THE FLAGPOLE BEACON

Internal Halyard 359°

THE INFORMATION CONTAINED IN THIS DRAWING IS THE SOLE PROPERTY OF WATTS MACHINE & FABRICATION COMPANY. ANY REPRODUCTION IN PART OR IN WHOLE WITHOUT WRITTEN PERMISSION OF WATTS MACHINE & FABRICATION COMPANY IS PROHIBITED.

Watts Machine & Fabrication			
DRAWN JPW	1-27-04	THE FLAG COMPANY FLAGPOLE BEACON™	
CHECKED DOW	1-27-04	SIZE	DWG NUMBER
DESIGNER DOW	1-27-04	A	INT-W-01
APPROVED Mike L.	1-27-04	REV -	SHEET 1 OF 1
SCALE None			



BULB OPTIONS
 120 volt Halogen Bulb
 (uses carbon rod brushes)
 or
 12 volt Halogen or 3 or 6 watt LED Bulb
 (uses solid copper rod brushes)

Customer P.O. #: _____ Date: _____ Customer Name: _____
 Factory Order #: _____ Quantity: _____ Project Name: _____
 Pole Sections: _____ Finish: _____ Architect Name: _____

THE FLAGPOLE BEACON®

IH Installation Instructions

Installation should be performed by a qualified electrician. All wiring must comply with state and local codes.

*** Retro Fit Beacons - skip steps 2 & 14**

***New Pole Installation start at step 2**

1. Drill 11/16" hole in pole at ground level, flash collar will hide wire.
2. Dig a 3" or 4" trench from ground sleeve to power supply, and then drill a 11/16" hole to line up with the 3" or 4" trench.
3. Remove winch from pole.
4. Remove bell housing from beacon and thread flag cable up through center hole, up and over both pulleys and down through "nose" hole.
5. Before securing bell housing, completely remove black tape holding wires down so they can move freely.
6. Tape cable end to wire & insert w/ weight into top of flagpole - lower to winch opening.
7. Attach Beacon to top of pole securely. **(Note: It is highly recommended to use loctite on spindle threads to prevent fixture from loosening over time.)**
8. Remove tape from wire & cable ends. Untwist cables. Drop end of wire down center of pole.
9. Attach flag cable to winch.
10. Reinsert power cable into pole to drop to ground.
11. Using solid copper wire - make a small hook in one end that will pass through your pre drilled hole.
12. Insert hook into flagpole & pull wire through, leaving some slack. Run wire through grommet and secure to pole.
13. Install winch.
14. Erect flagpole.

BULB REPLACEMENT

1. Disconnect power from flagpole.
2. Loosen retainer clips (4) using a phillips head screwdriver while holding bulbs in place.
3. Remove bulbs from socket (Caution: glass can break causing injury.)
4. Carefully insert new bulbs making sure not to apply too much pressure.
5. Tighten clips back into place evenly.

NOTE: It is strongly recommended that both bulbs be replaced at the same time.