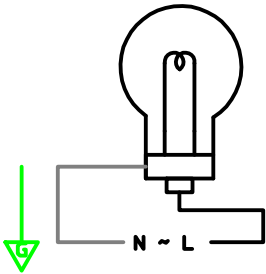


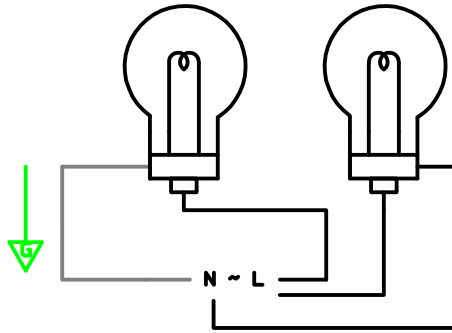


# L-810 Fixture Configurations

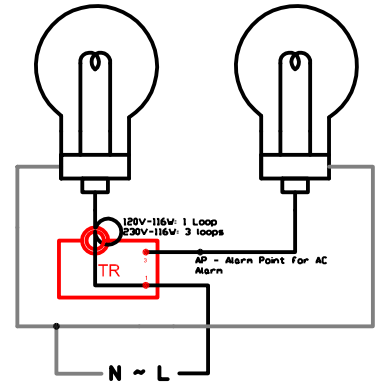
Single Obstruction Light



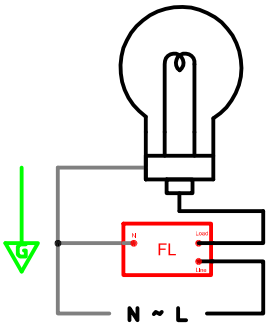
Double Obstruction Light



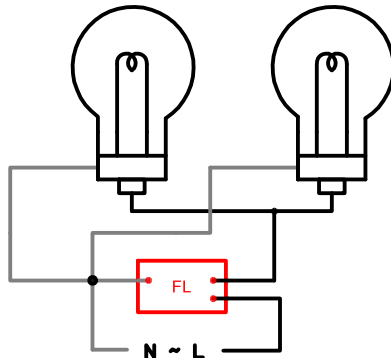
Double Obstruction Light w/ Transfer Relay



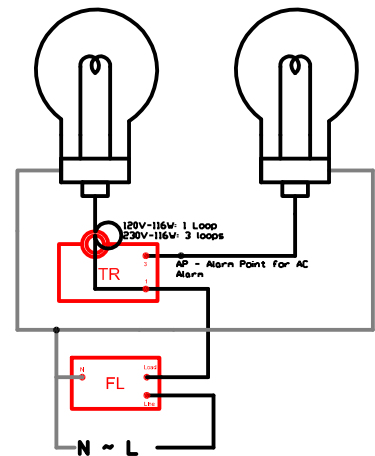
Single Obstruction Light w/ Flasher



Double Obstruction Light w/ Flasher



Double Obstruction Light w/ Transfer Relay & Flasher



**Note:**

- Fixtures with Photocell: Connect PC white wire to fixture and AC Neutral, Black wire to AC Line, Red wire to fixture Line (black).
- Configurations shown with ground, ground wire is attached to fixture at spare threaded hole (top of head).
- Configurations shown without ground are in B2 box with ground lug.
- AP: Alarm Point on fixtures with transfer relays can be used to power 120V alarm indicators, pilot lights or 120V audible alarms. Limit Alarm to 4W or use relay to power larger alarm loads.
- White wiring depicted as grey in drawing.