

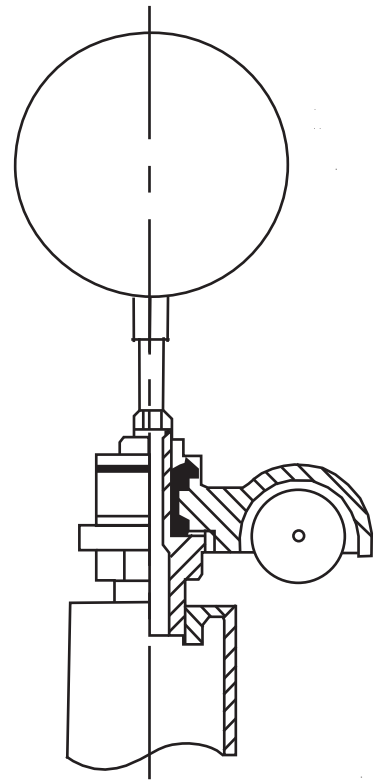
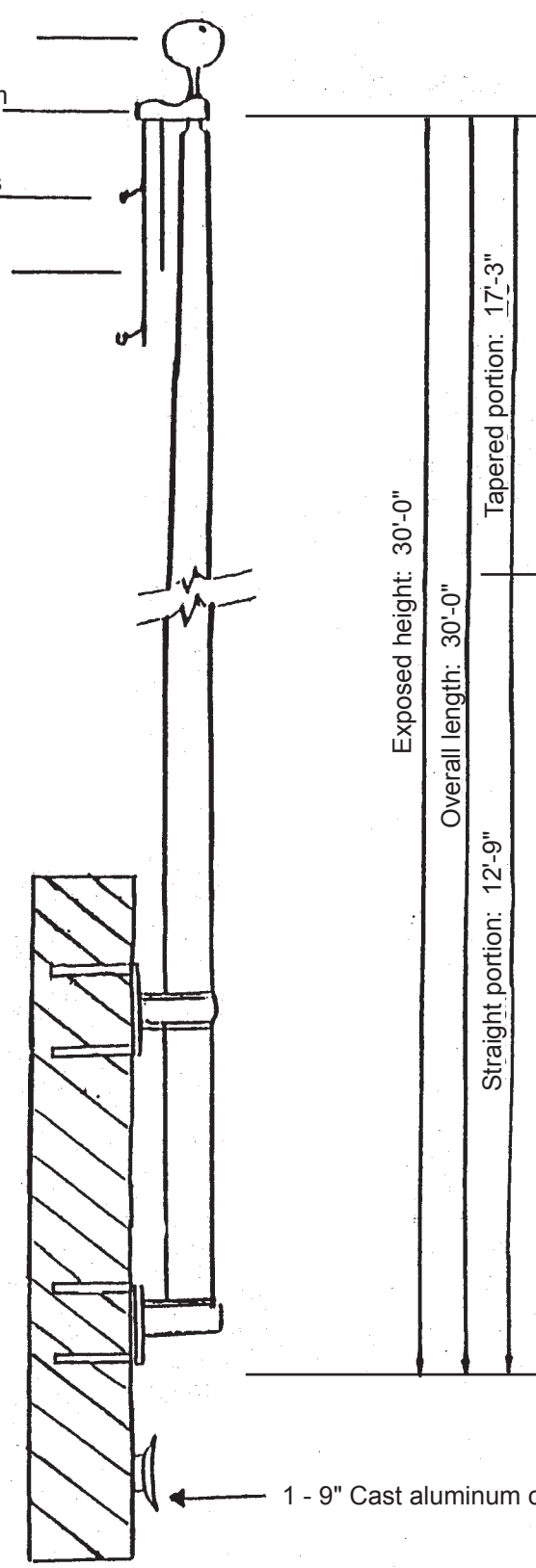
# Model LVW 30

6" - 14 gauge spun aluminum ball  
gold anodized

Single sheave truck, cast aluminum  
revolving, non-fouling type

2 Bronze swivel snaps with covers  
per halyard

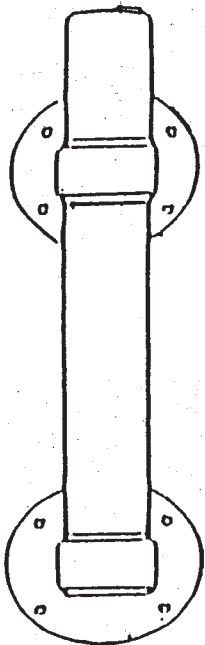
1 Set of halyard: #10 poly



**Truck Detail**

Aluminum body  
Stainless steel ball bearings  
Aluminum sheave  
Cast aluminum spindle

**Bracket Detail**



1 - 9" Cast aluminum cleat

|             |  |                          |           |
|-------------|--|--------------------------|-----------|
| Project:    | Tapered aluminum flagpole: ALLOY: 6063T6 |                          | Date:     |
| Location:   | Exposed height: 30' - 0"                 | Overall height: 30' - 0" | Revision: |
| Architect:  | Ship in 1 section                        | Butt diameter: 6"        |           |
| Contractor: | Top diameter: 3-1/2"                     | Wall thickness: .156     |           |
| Customer:   | Finish: 100 grit high polish             |                          | Job:      |