

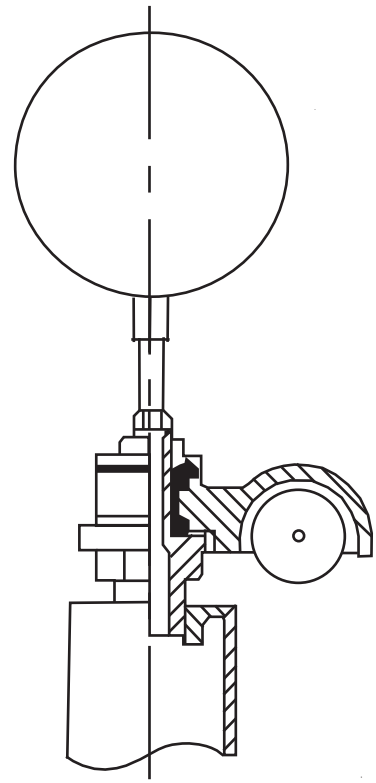
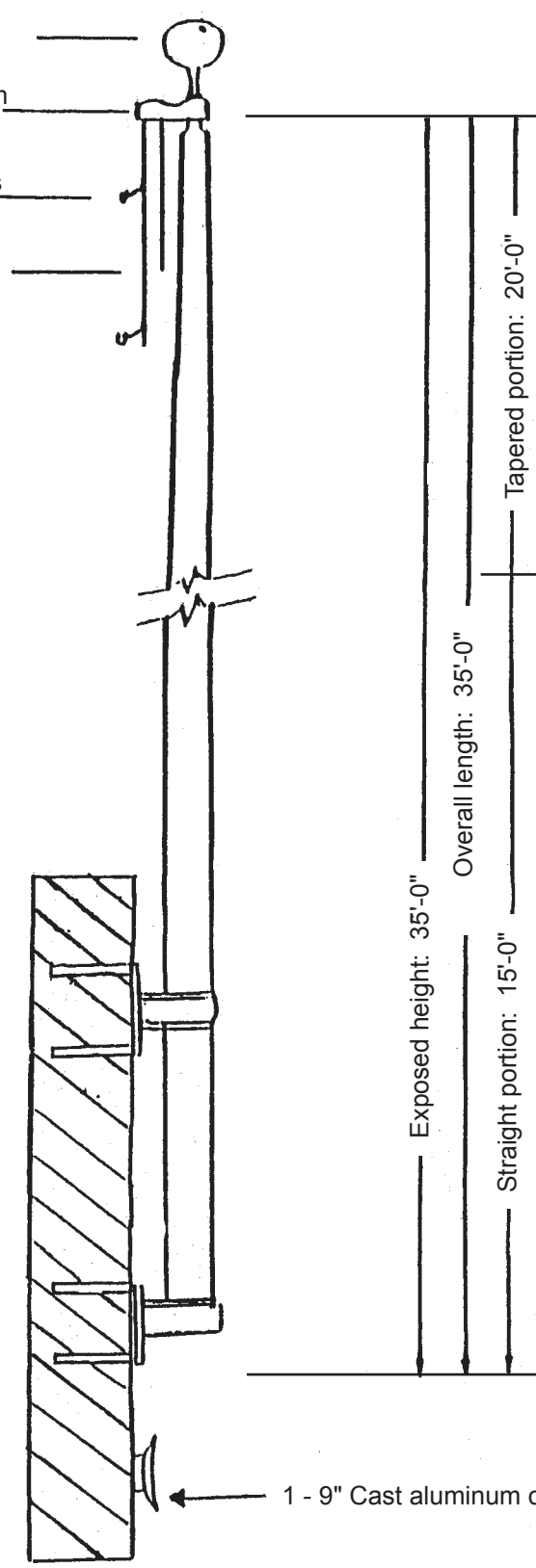
# Model LVW 35

6" - 14 gauge spun aluminum ball  
gold anodized

Single sheave truck, cast aluminum  
revolving, non-fouling type

2 Bronze swivel snaps with covers  
per halyard

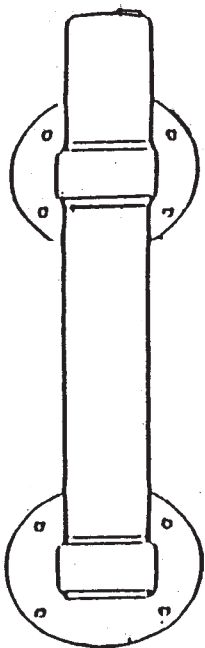
1 Set of halyard: #10 poly



**Truck Detail**

Aluminum body  
Stainless steel ball bearings  
Aluminum sheave  
Cast aluminum spindle

**Bracket Detail**



1 - 9" Cast aluminum cleat

Project:	Tapered aluminum flagpole: ALLOY: 6063T6		Date:
Location:	Exposed height: 35' - 0"	Overall height: 35' - 0"	Revision:
Architect:	Ship in 1 section	Butt diameter: 6"	
Contractor:	Top diameter: 3-1/2"	Wall thickness: .156"	
Customer:	Finish: 100 grit high polish		Job: