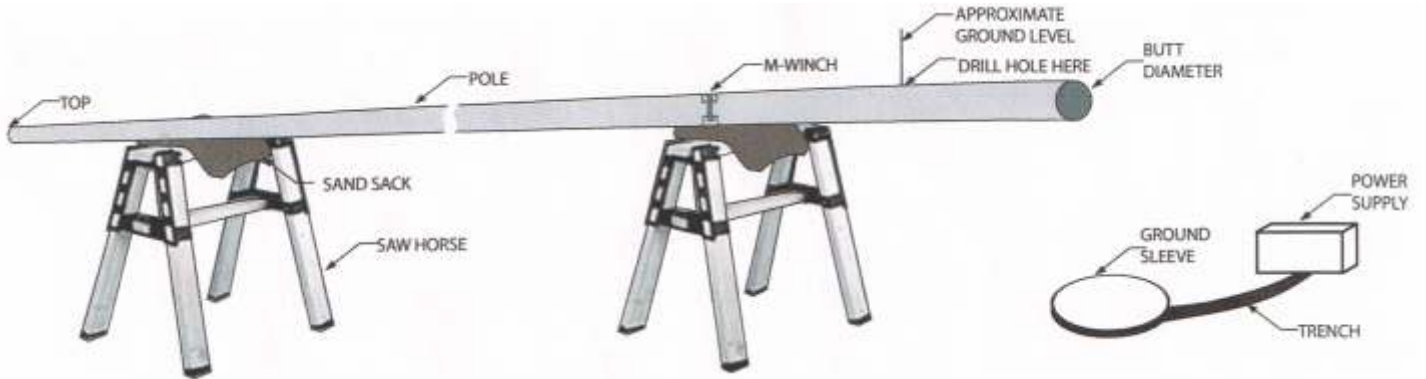


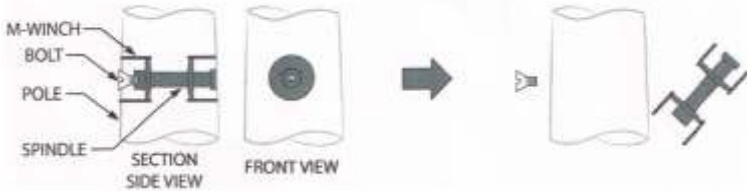
FLAGPOLE WAREHOUSE

INTERNAL HALYARD INSTALLATION INSTRUCTIONS

!!! Installation should be performed by a qualified electrician. !!!
All wiring must comply with state and local codes.

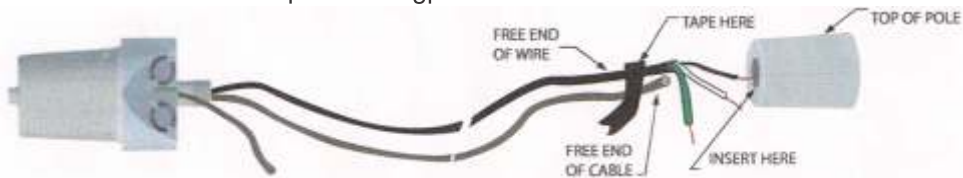


1. Dig a 3" or 4" wide trench from the ground sleeve to the power supply.
2. Place the flagpole on saw horses with sand sacks for your convenience and then drill a 011 /16" hole to line up with the trench. (The flash collar will hide the wire.)

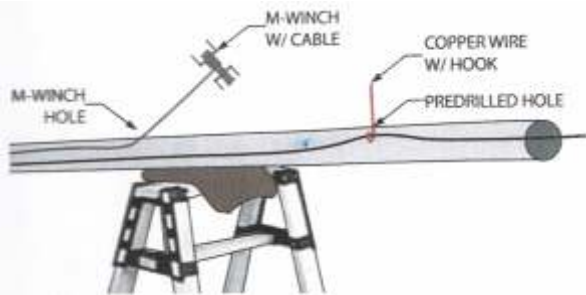


3. Remove the M-winch from the pole.
 (Tip: Remove the bolt from the back of the M-winch. Use the bolt to push the M-winch out of the flagpole.)

4. Remove bell housing from beacon and thread flag cable up through center hole, up and over both pulleys and down through "nose" hole. (Note: Before securing bell housing, completely remove black electrical tape holding wires down so they can move freely.)
5. Tape the cable end to the wire and insert into top of the flagpole until it reaches the bottom end of the pole.



6. Attach the Beacon to the top of the pole securely.
 (Note: It is highly recommended to use Loctite on spindle threads.)
7. Remove the tape from the wire and cable ends. Untwist wire and cable.



8. Using a solid copper wire, make a small hook on one end that will pass through your predrilled hole.
9. Insert the hook into the flagpole and pull the wire through, leaving some slack. Run the wire through the grommet and secure to the pole.
10. Pull the free end of the cable through the M-winch hole and attach to the M-winch. Install the M-winch.
11. Erect the flagpole following enclosed installation instructions.
 (Note: See prevailing wind chart for proper alignment of beacon/green dot.)

BULBS REPLACEMENT

1. Disconnect power from the flagpole.
2. Loosen retainer clips (4) using a phi I lips head screwdriver while holding bulbs in place.
3. Remove bulbs from sockets (Caution: glass can break causing injury).
4. Carefully insert new bulbs making sure not to apply too much pressure.
5. Tighten clips back into place evenly.

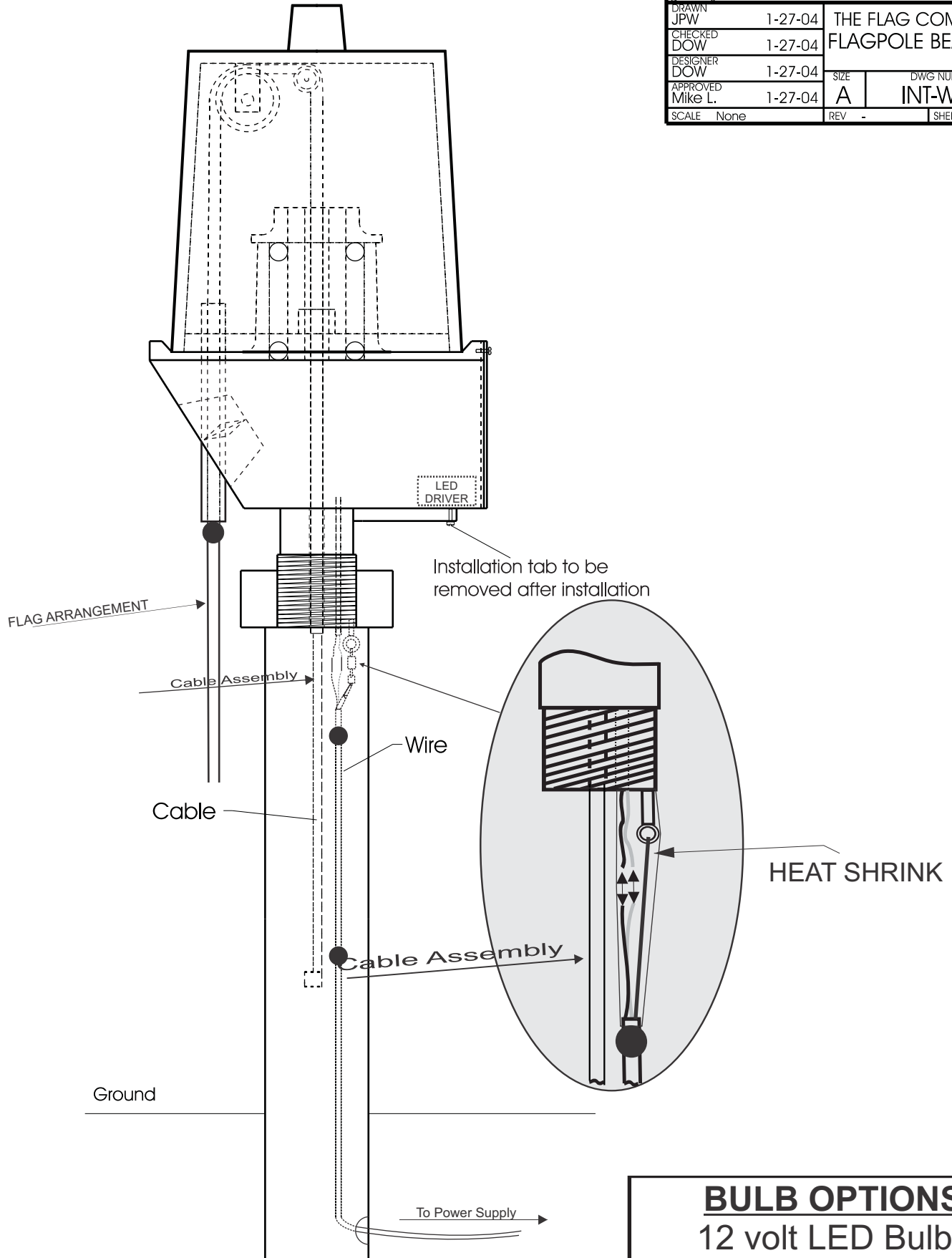
NOTE: It is strongly recommended that both bulbs be replaced at the same time.

THE FLAGPOLE BEACON®

Internal Halyard 359°

THE INFORMATION CONTAINED IN THIS DRAWING IS THE SOLE PROPERTY OF WATTS MACHINE & FABRICATION COMPANY. ANY REPRODUCTION IN PART OR IN WHOLE WITHOUT WRITTEN PERMISSION OF WATTS MACHINE & FABRICATION COMPANY IS PROHIBITED.

DRAWN JPW		1-27-04	THE FLAG COMPANY FLAGPOLE BEACON™	
CHECKED DOW		1-27-04		
DESIGNER DOW		1-27-04	SIZE A	DWG NUMBER INT-W-01
APPROVED Mike L.		1-27-04	REV -	SHEET 1 OF 1
SCALE None				



BULB OPTIONS
12 volt LED Bulbs

Customer P.O. #: _____ Date: _____ Customer Name: _____
 Factory Order #: _____ Quantity: _____ Project Name: _____
 Pole Sections: _____ Finish: _____ Architect Name: _____

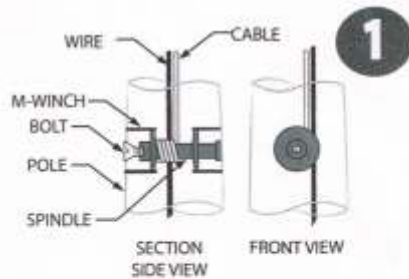
FLAGPOLE WAREHOUSE

TROUBLESHOOTING GUIDE - INTERNAL HALYARD

Symptom: The flag does not easily go up or come down.

Cause: The electrical wire and cable are twisted.

SOLUTION:



If the flag is down:

- Remove the bolt from the back of the M-winch (Tip: Use the bolt to push the M-winch out of the flagpole.);
- Carefully disconnect the cable from the spindle.
(Note: hold on to cable end tightly.)

If the flag is up:

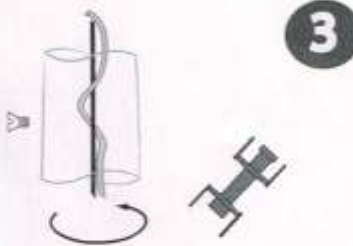
- Slowly and carefully unwind the cable as much as possible;
- Remove the bolt from the back of the M-winch. (Tip: Use the bolt to push the M-winch out of the flagpole.) (Tip: There may be pressure from the weight of the flag.);
- Pull the M-winch out of the flagpole slowly, holding onto the cable;
- unwind any remaining cable and carefully disconnect the cable from the spindle. (Note: hold on to cable end tightly.)



- Put the cable back into the flagpole.
- Let the cable hang freely.
- Jiggle the electrical wire and the cable. The cable will untangle by itself if it is not touching anything at the bottom of the flagpole.
- Pull the cable out of the flagpole and pull down 3' to 4': The flag assembly should go up or down freely.



- If the cable does not move freely, put the cable back in the flagpole and run it counter-clockwise around the electrical wire some turns more until it moves freely.
- Pull the cable out of the flagpole and pull down 3' to 4': The flag assembly should go up or down freely.
- Repeat as necessary until the cable moves up and down freely.



- Reattach the cable to the spindle.
- Put the M-winch back into the flagpole.
- Bolt the M-winch back into the flagpole.