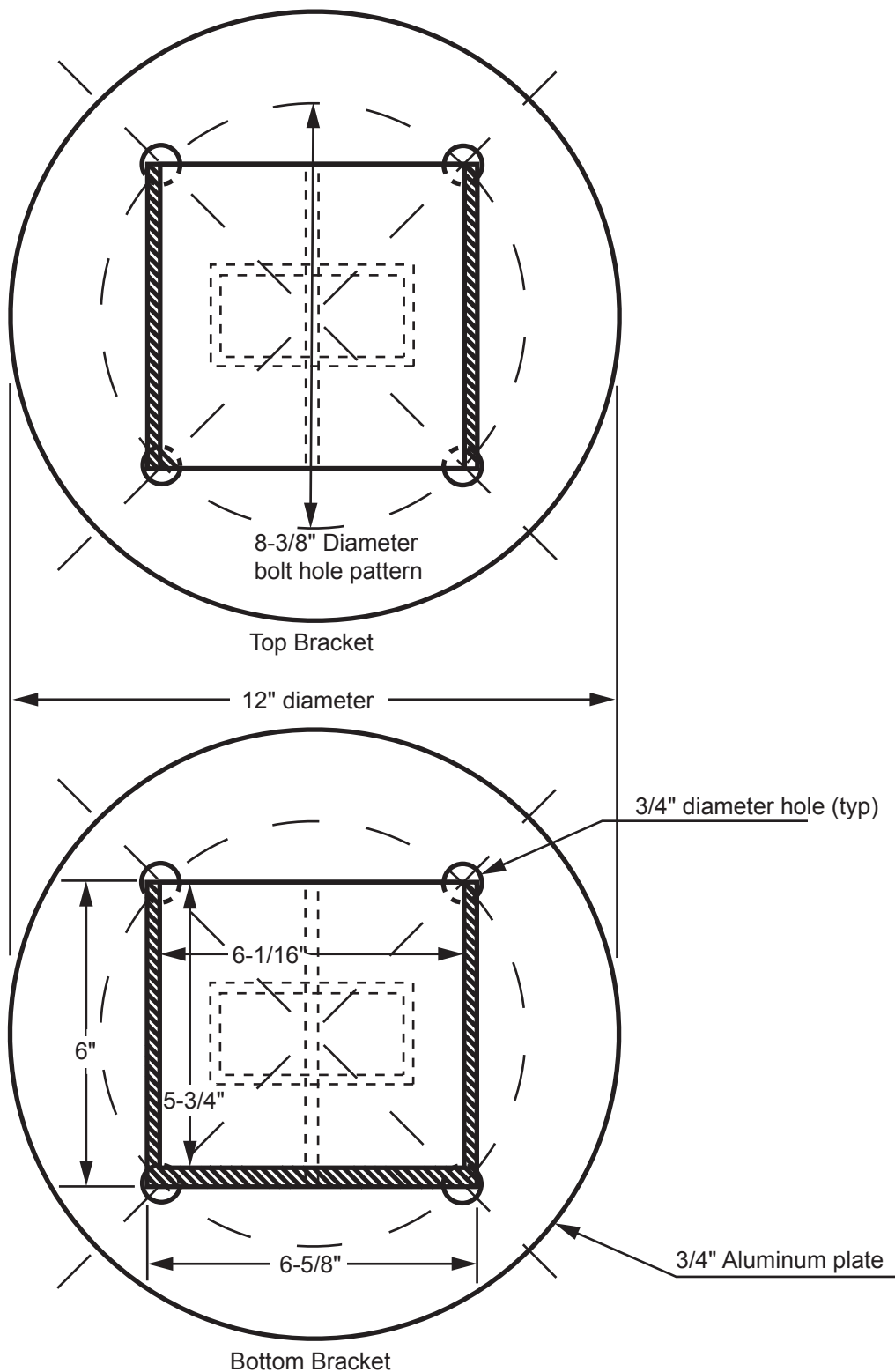


Model LVW6/B Bracket
Item Number: 323031



Bracket Detail

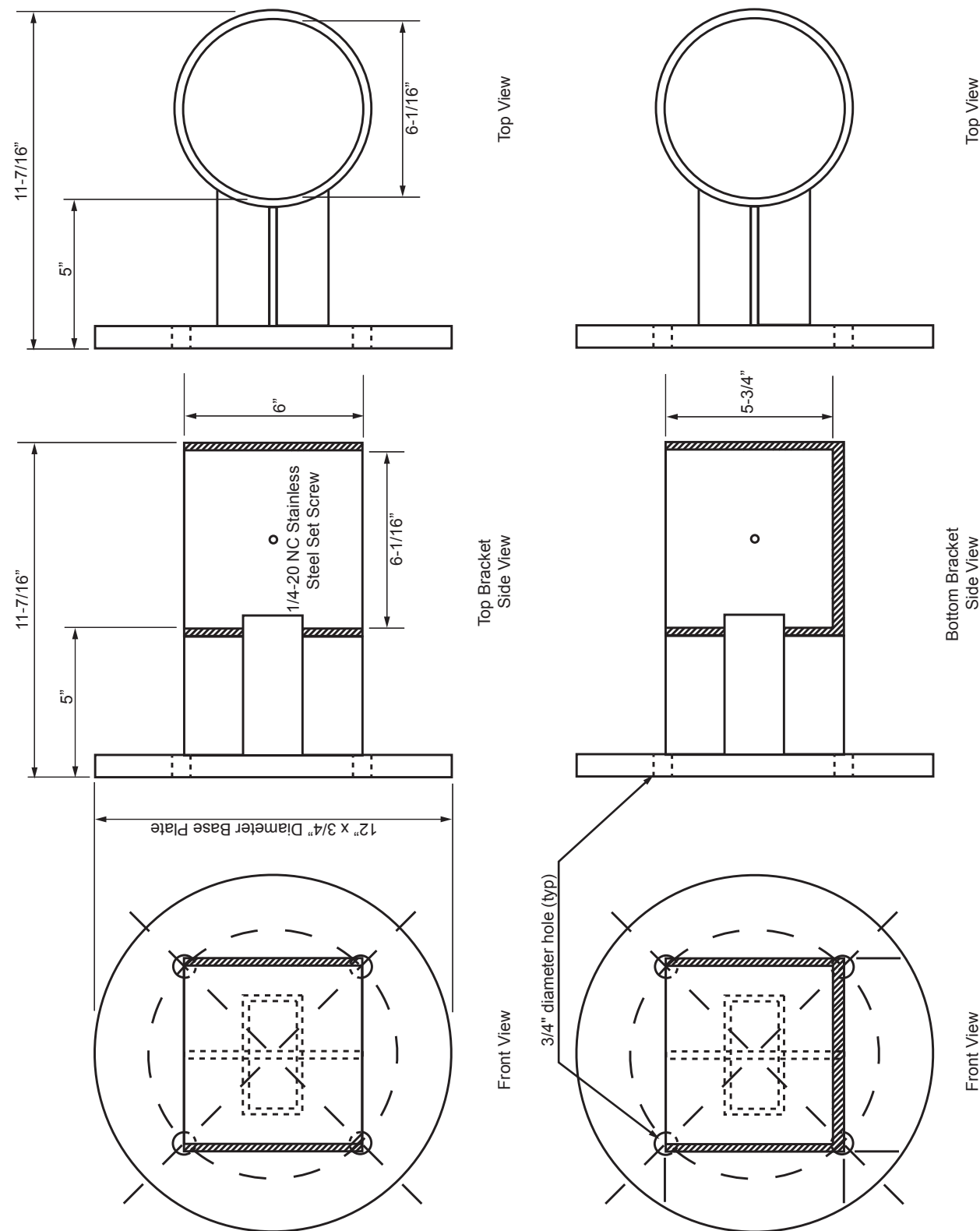


Project:	Aluminum casting Alloy: 356 T	EDER FLAG	Date:
Location:	Exposed height: Overall height:	MANUFACTURING COMPANY	Revision:
Architect:	Ship in section Butt diameter:	1000 W. Rawson Avenue	
Contractor:	Top diameter: Wall thickness:	Oak Creek, WI 53154	
Customer:	Finish: Cast Aluminum		Job:



Model LVW6/B Bracket
Item Number: 323031

Bracket Detail



Project:	Aluminum casting Alloy: 356 T	EDER FLAG	Date:
Location:	Exposed height: Overall height:	MANUFACTURING COMPANY	Revision:
Architect:	Ship in section Butt diameter:	1000 W. Rawson Avenue	
Contractor:	Top diameter: Wall thickness:	Oak Creek, WI 53154	
Customer:	Finish: Cast Aluminum		Job: