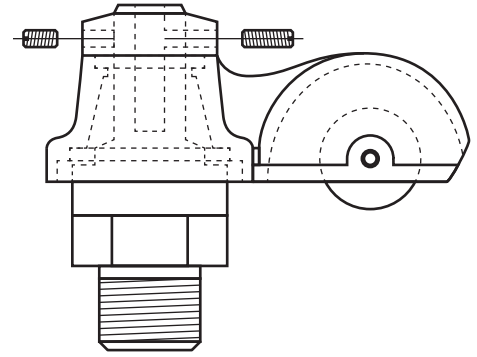
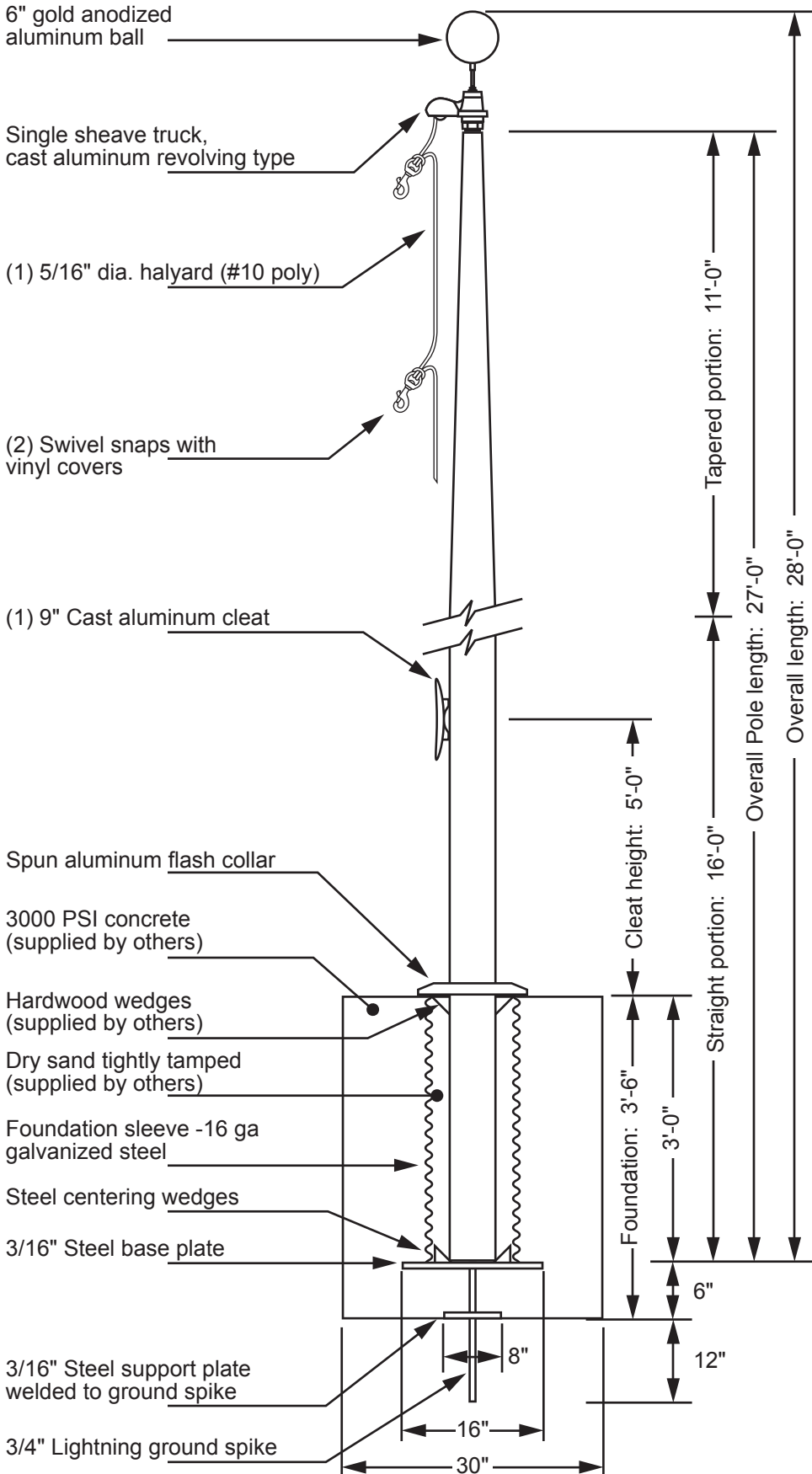


# Model EC25 - External Single Halyard



www.flagpolewarehouse.com



**Single Sheave Truck Detail**  
 Revolving truck  
 Cast aluminum body  
 Stainless steel ball bearings  
 Nylon sheave  
 Cast aluminum spindle

Project:  
 Location:  
 Contractor:  
 Customer:

Date:  
 Job:  
 Revision:

Exposed Height \_\_ 25'-0"  
 Overall Height \_\_ 28'-0"  
 Butt Diameter \_\_ 6"  
 Top Diameter \_\_ 3-1/2"  
 Wall Thickness \_\_ .188"  
 Ships in 1 section

Ground Set Tapered  
 Aluminum Flagpole  
 ALLOY 6063T6  
 80 grit polish  
 FINISH:

**EDER FLAG**  
 1000 W. Rawson Avenue  
 Oak Creek, WI 53154  
 www.ederflag.com

