

Model EC35 - External Single Halyard



www.flagpolewarehouse.com

8" gold anodized aluminum ball

Single sheave truck, cast aluminum revolving type

(1) 5/16" dia. halyard (#10 poly)

(2) Swivel snaps with vinyl covers

(1) 9" Cast aluminum cleat

Spun aluminum flash collar

3000 PSI concrete (supplied by others)

Hardwood wedges (supplied by others)

Dry sand tightly tamped (supplied by others)

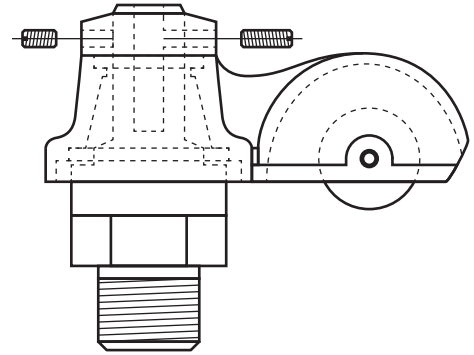
Foundation sleeve - 16 ga galvanized steel

Steel centering wedges

3/16" Steel base plate

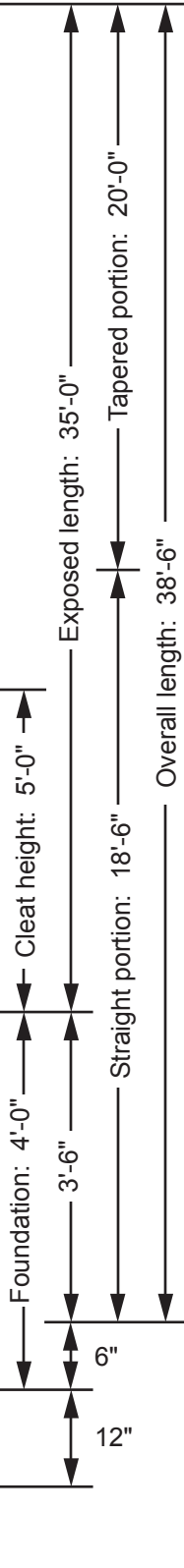
3/16" Steel support plate welded to ground spike

3/4" Lightning ground spike



Single Sheave Truck Detail

- Revolving truck
- Cast aluminum body
- Stainless steel ball bearings
- Nylon sheave
- Cast aluminum spindle



Project: Location: Contractor: Customer:	Date: Job: Revision:	Exposed Height __ 35'-0"	Ground Set Tapered Aluminum Flagpole ALLOY 6063T6 80 grit polish	EDER FLAG 1000 W. Rawson Avenue Oak Creek, WI 53154 www.ederflag.com
		Overall Height __ 38'-6"		
		Butt Diameter __ 7"		
		Top Diameter __ 3-1/2"		
		Wall Thickness __ .188"		
		Ships in 1 section		