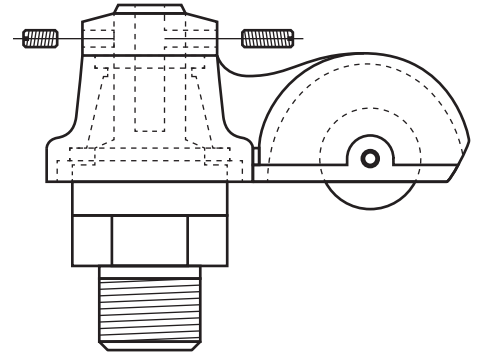
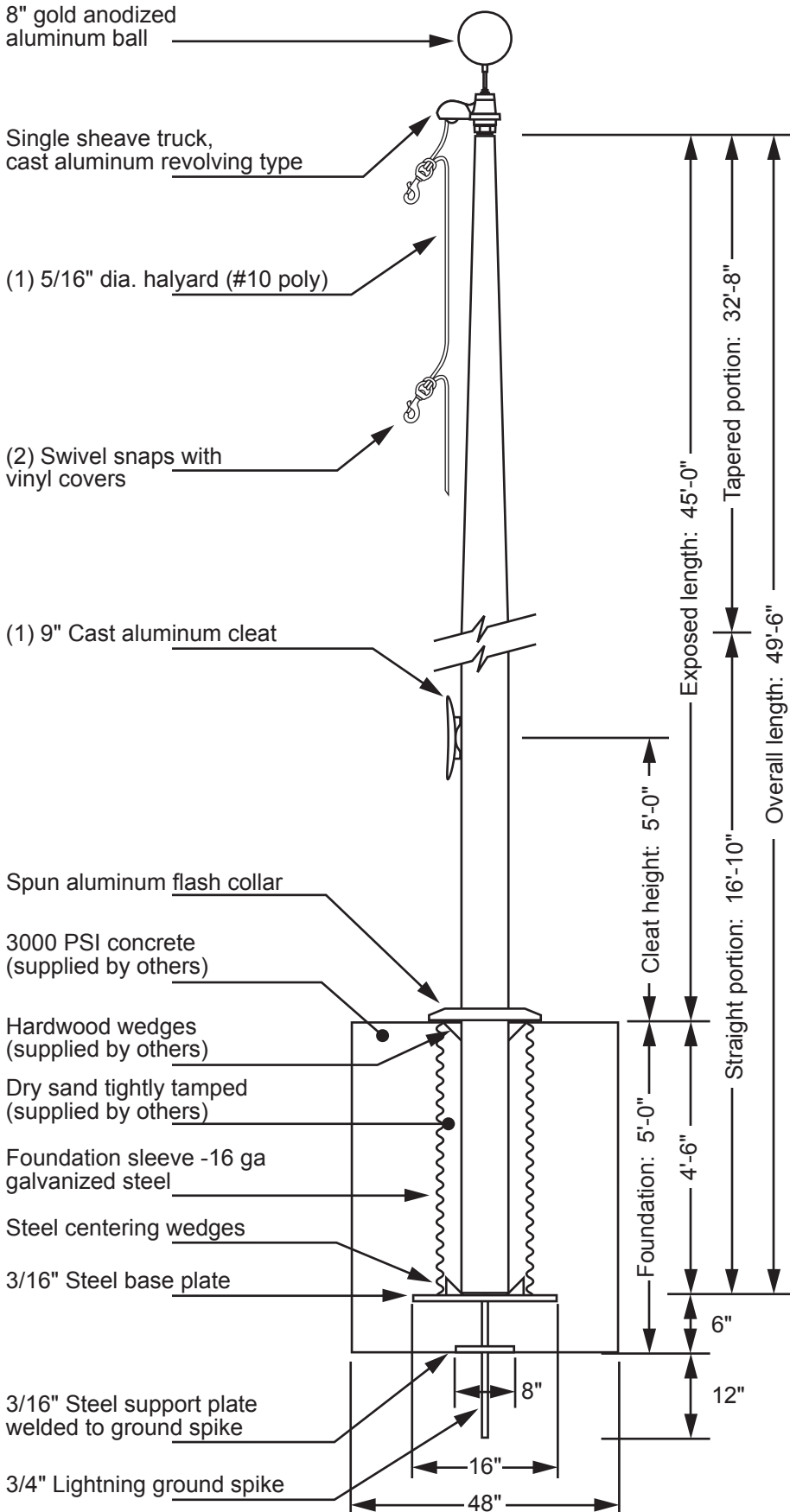


Model EC45 - External Single Halyard



www.flagpolewarehouse.com

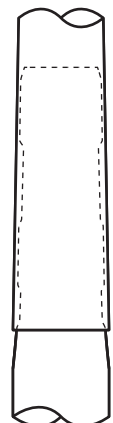


Single Sheave Truck Detail
 Revolving truck
 Cast aluminum body
 Stainless steel ball bearings
 Nylon sheave
 Cast aluminum spindle

All shafts with overall length of more than 38'-6" are shipped in multiple sections.

Each section is matched and marked for field assembly. Exposed portion of jam sleeve must be **well lubricated** prior to assembly.

1-1/2" maximum gap allowed for field fitting.



Project:	Date:	Exposed Height __ 45'-0"	Ground Set Tapered Aluminum Flagpole ALLOY 6063T6 80 grit polish	EDER FLAG 1000 W. Rawson Avenue Oak Creek, WI 53154 www.ederflag.com
Location:	Job:	Overall Height __ 49'-6"		
Contractor:	Revision:	Butt Diameter __ 8"	FINISH:	
Customer:		Top Diameter __ 3-1/2"		
		Wall Thickness __ .188"		
		Ships in 2 sections		