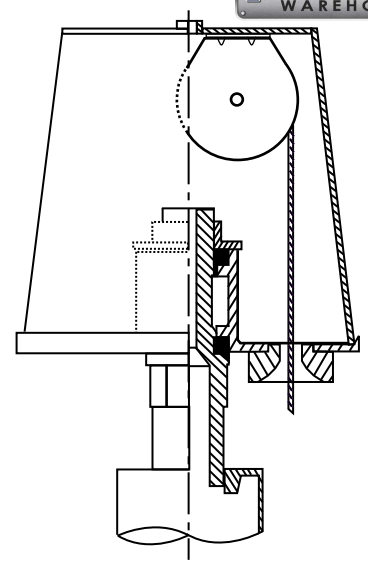
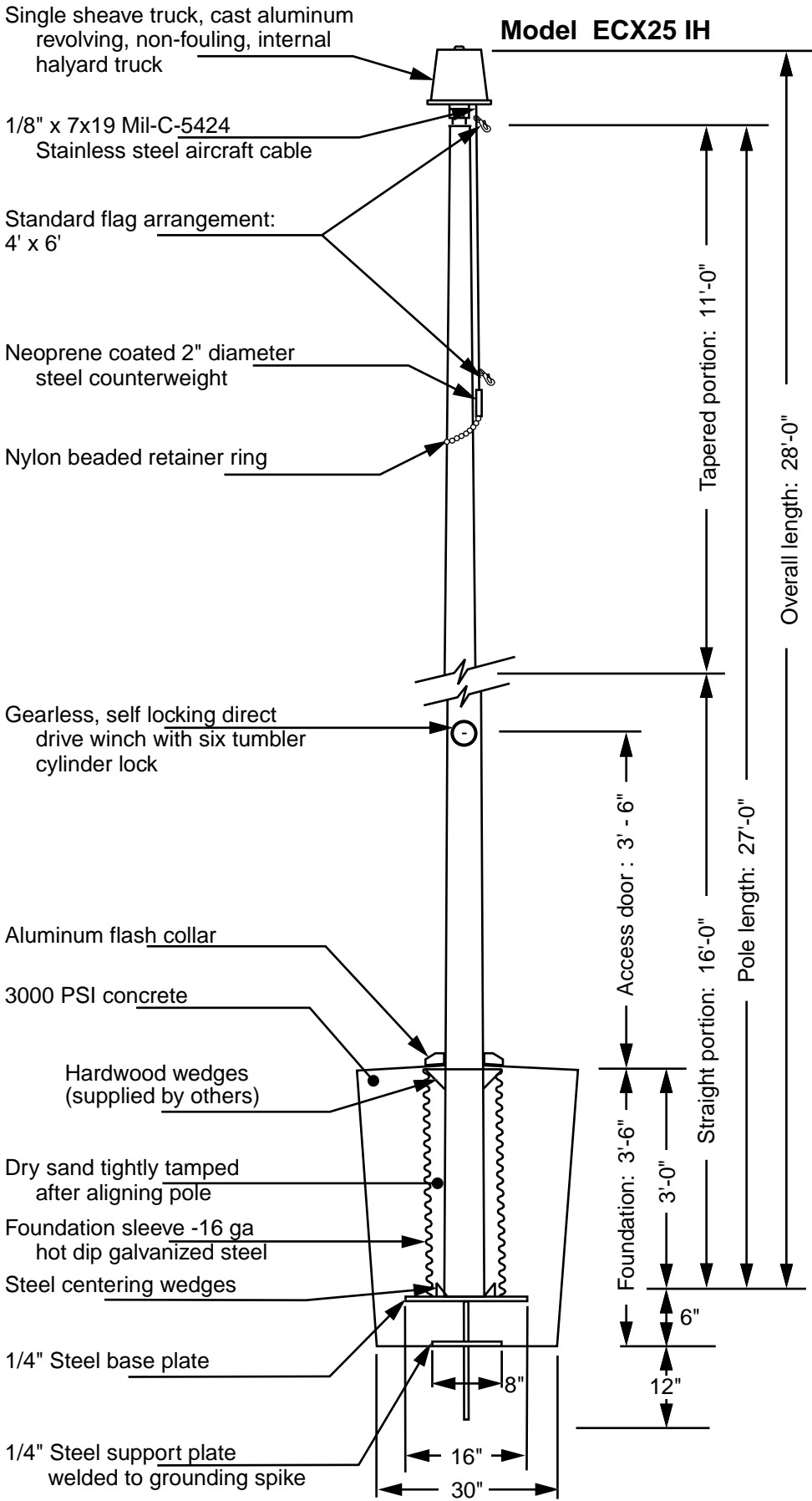
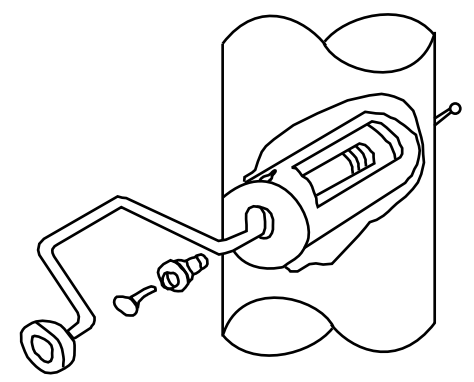


Model ECX25 IH



Revolving non-fouling internal halyard truck, cast aluminum body, 26 stainless steel ball bearings, and 2-1/2" diameter plated steel sheave.

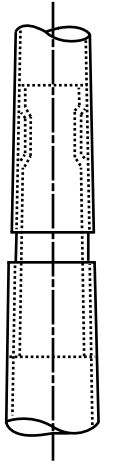


Winch Detail

All shafts with overall length of more than 38'-6" are shipped in two sections.

Each section matched marked for field assembly. Exposed portion of jam sleeve must be **well lubricated** prior to assembly.

1-1/2" maximum shop gap allowed for field fitting (ram for tight joint)



Project:	Ground set tapered aluminum flagpole: ALLOY: 6063T6	EDER FLAG	Date:
Location:	Exposed height: 25'-0" Overall height: 28'-0"	MANUFACTURING COMPANY	Revision:
Architect:	Ship in 1 section Butt diameter: 5"	1000 W. Rawson Avenue	
Contractor:	Top diameter: 3" Wall thickness: .125"	Oak Creek, WI 53154	
Customer:	Finish: 100 grit polish		Job: