

5" - 14 gauge spun aluminum ball
gold anodized

Single sheave truck, cast aluminum
revolving, non-fouling type

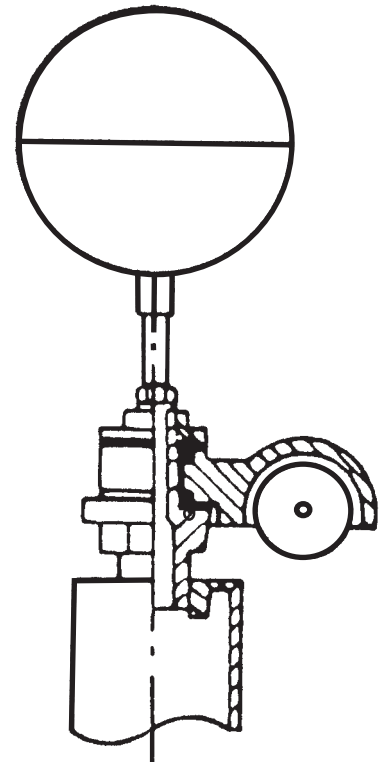
2 Bronze swivel snaps with covers
per halyard

1 Set of halyard: #10 poly

Model ECXA30



www.flagpolewarehouse.com



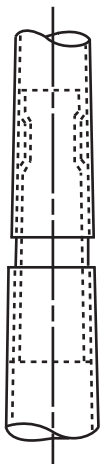
Truck Detail

Aluminum body
Stainless steel ball bearings
Aluminum sheave
Cast aluminum spindle

All shafts with overall
length of more than
38'-6" are shipped in
two sections.

Each section matched
marked for field assembly.
Exposed portion of jam
sleeve must be **well
lubricated** prior to
assembly.

1-1/2" maximum shop
gap allowed for field
fitting (ram for tight joint)



1 - 9" Cast aluminum cleat

Aluminum flash collar

3000 PSI concrete

Hardwood wedges
(supplied by others)

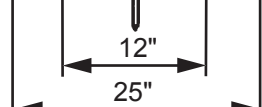
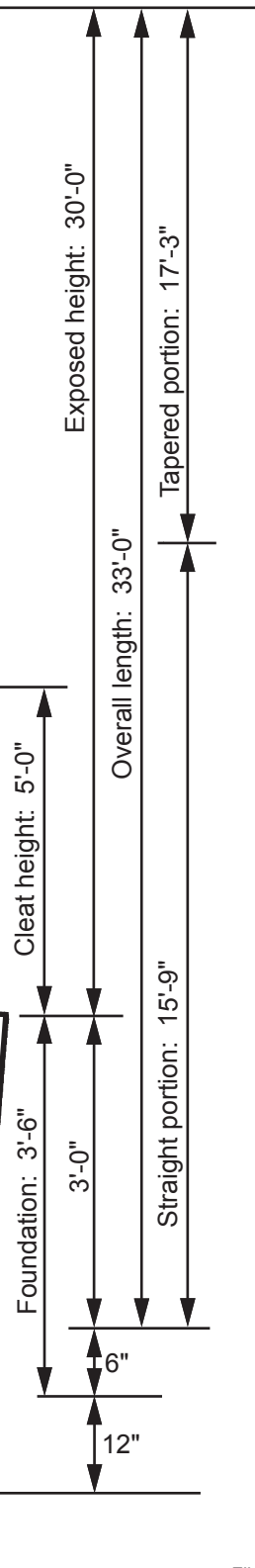
Dry sand tightly tamped
after aligning pole

Foundation sleeve -16 ga
hot dip galvanized steel

Steel centering wedges

1/4" Steel base plate

1/4" Steel support plate
welded to grounding spike



Filename: ECXA30 single sheave_revolving truck.ai

| | | | |
|-------------|---|------------------------|-----------------------|
| Project: | Ground set tapered aluminum flagpole: ALLOY: 6063T6 | EDER FLAG | Date: |
| Location: | Exposed height: 30'-0" | Overall height: 33'-0" | Revision: |
| Architect: | Ship in 1 section | Butt diameter: 5" | 1000 W. Rawson Avenue |
| Contractor: | Top diameter: 3" | Wall thickness: .156" | Oak Creek, WI 53154 |
| Customer: | Finish: 100 grit polish | | Job: |