

Model ECX30 TD

FLAGPOLE
WAREHOUSE

5" - 14 gauge spun aluminum ball
gold anodized

Single sheave truck, cast aluminum
revolving, non-fouling type

2 Bronze swivel snaps with covers
per halyard

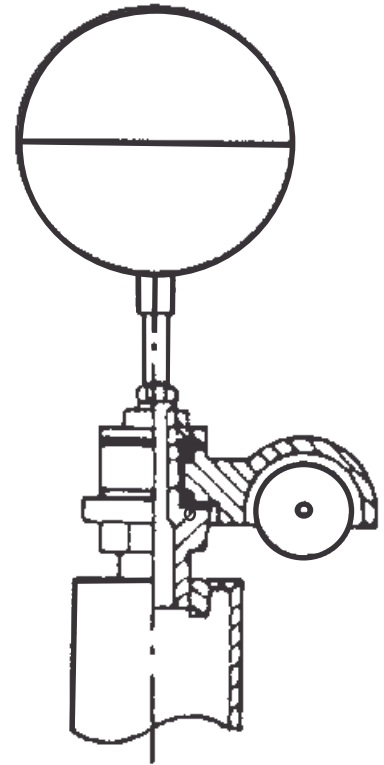
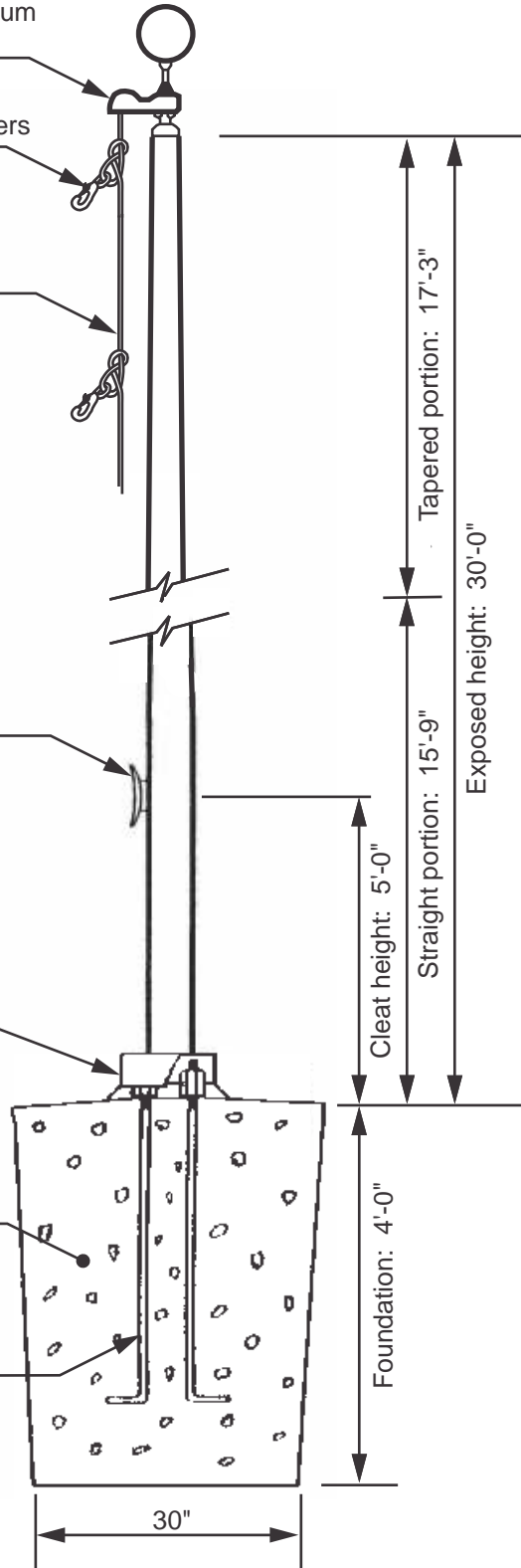
1 Set of halyard: #10 poly

1 - 9" Cast aluminum cleat

Cast aluminum hinge base
(see detail)

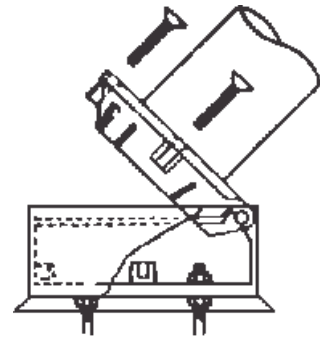
3000 PSI concrete

(4) 3/4" x 24" anchor bolts



Truck Detail

Aluminum body
Stainless steel ball bearings
Aluminum sheave
Cast aluminum spindle



Tilting Shoe Base

Hinged cast aluminum
Anchor base A356-T6 pivot
on a 3/4" solid aluminum pivot
Rod base fastened with
(3) 1/2" - 13x3" stainless steel
allen head screws

Project:	Ground set tapered aluminum flagpole	Flagpole Warehouse	Date:
Location:	Overall height: 30'-0"		Revision:
Architect:	Ship in 1 section	Butt diameter: 5"	
Contractor:	Top diameter: 3"	Wall thickness: .125"	
Customer:	Finish: 100 grit polish		Job: