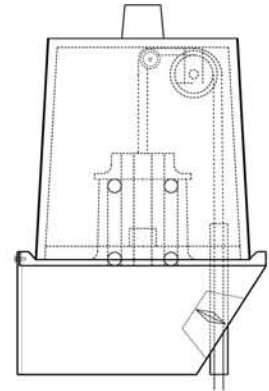


ILLUMINATOR

Model ILIH20



Max unflagged wind speed: 315 mph
 Max flagged wind speed: 120+ mph

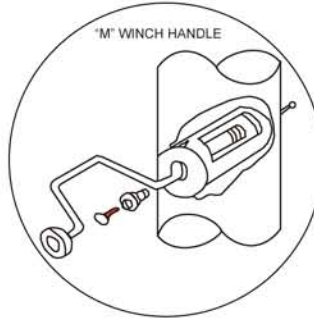


Truck Details

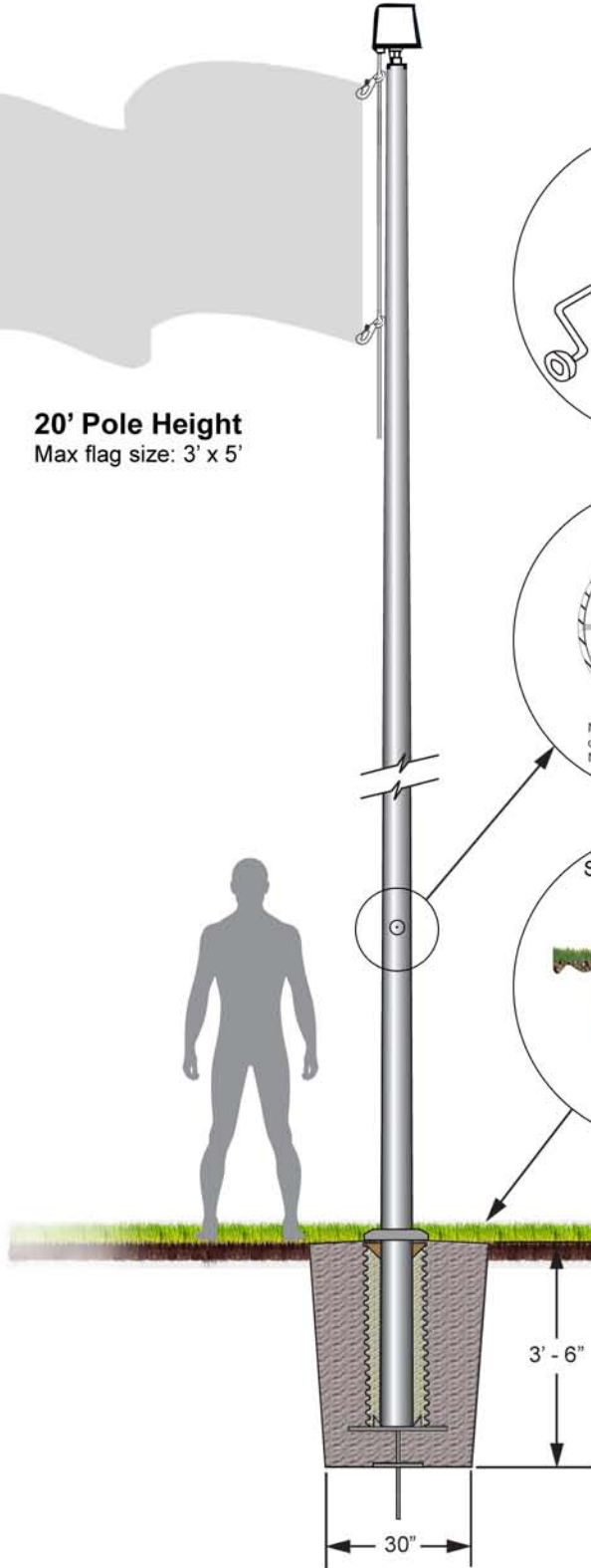
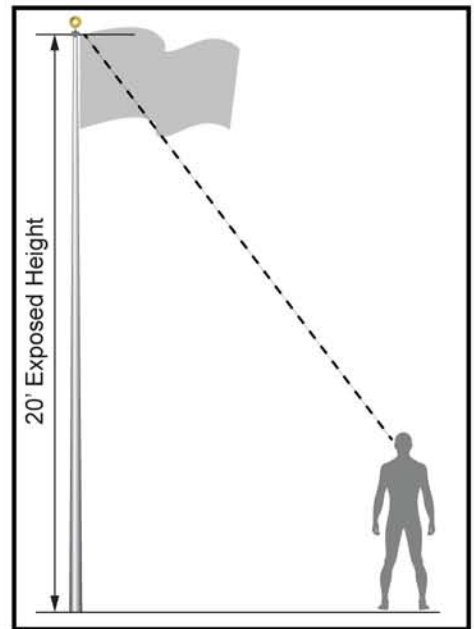
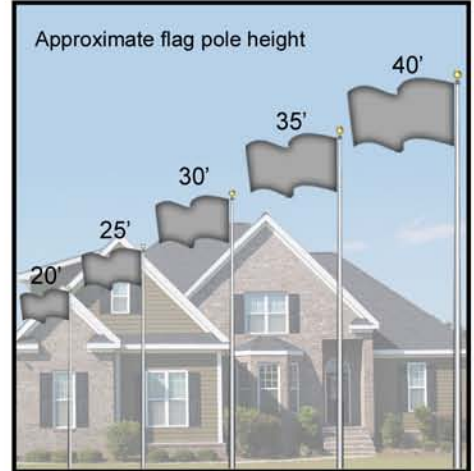
Revolving non-fouling internal halyard truck, cast aluminum, 26 stainless steel ball bearings and 2-1/2" diameter plated steel sheave.



20' Pole Height
 Max flag size: 3' x 5'



No welding required, thus no discoloration when anodized.
 No monthly lubrication.



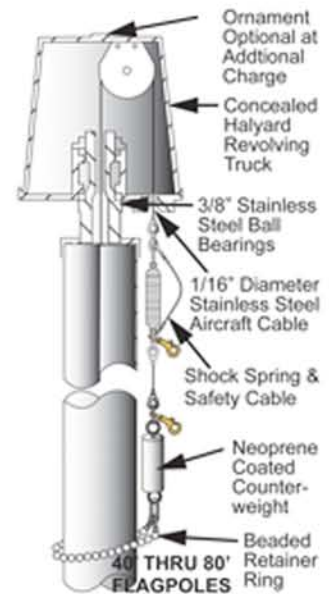
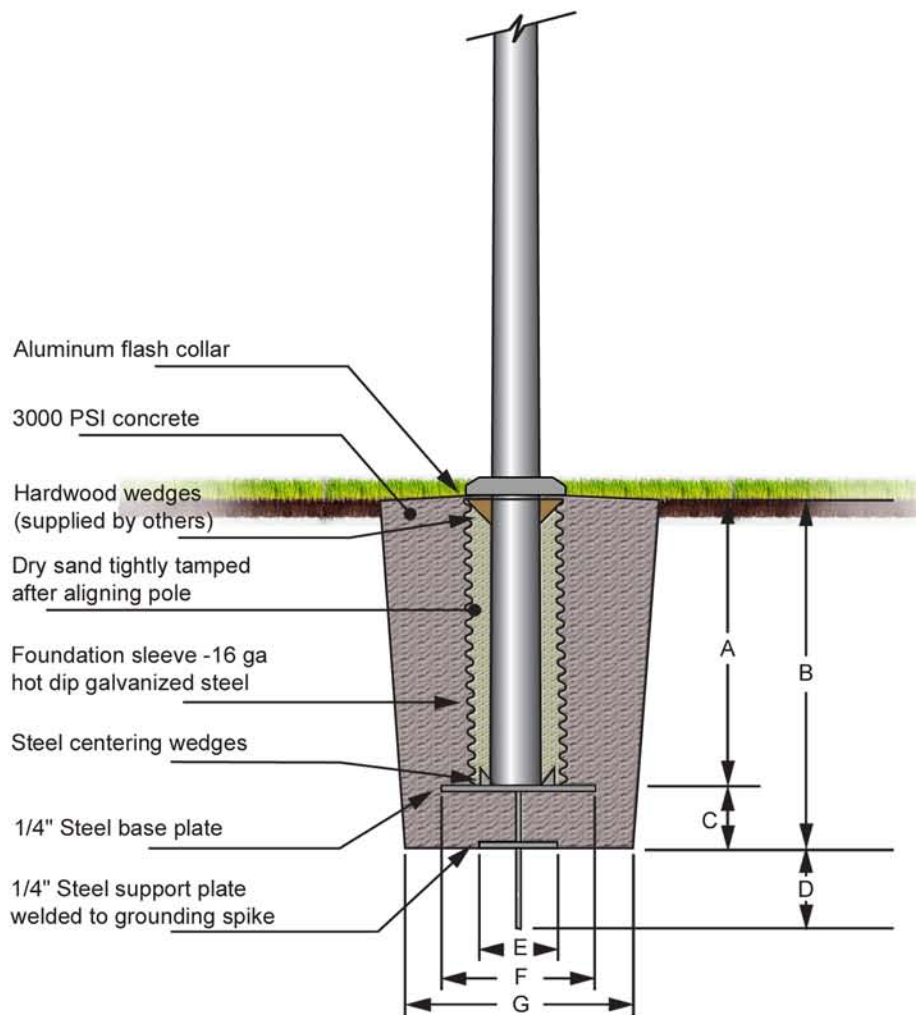
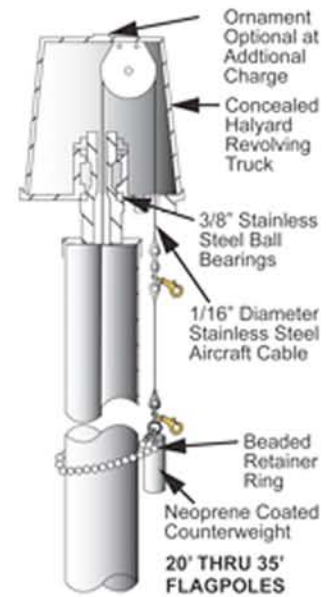
Intertek
 4010565
 Conforms to UL STD 1598

Filename: Arc-EC20.pdf

Project:	Ground set tapered aluminium flagpole: ALLOY 6063T6	Flagpole Warehouse	Date:
Location:	Exposed Height: 20' - 0" Overall Height: 23' - 0"	3600 Cantrell Industrial CT.	Revision:
Architect:	Butt diameter: 5" Finish: 100 grit polish	Acworth, GA 30101	
Contractor:	Top diameter: 3"	www.flagpolewarehouse.com	
Customer:	Wall Thickness: .188" Ship in: 1 Section	1-800-962-0956	Job:

Model ILIH20
20' Pole Height

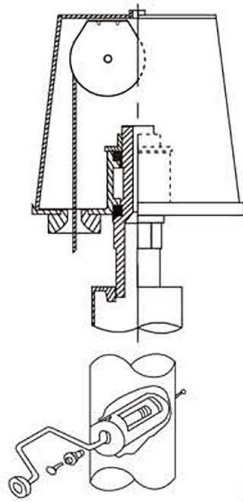
Pole Height	A	B	C	D	E	F	G
20'	3' - 0"	3' - 6"	6"	12"	6"	12"	24"
25'	3' - 0"	3' - 6"	6"	12"	8"	16"	30"
30'	3' - 0"	3' - 6"	6"	12"	8"	16"	30"
35'	3' - 6"	4' - 0"	6"	12"	8"	16"	35"
40'	4' - 0"	4' - 6"	6"	12"	9"	18"	48"
45'	4' - 0"	4' - 6"	6"	12"	9"	18"	48"
50'	5' - 0"	5' - 6"	6"	12"	10"	20"	60"
60'	6' - 0"	6' - 10"	10"	14"	12"	24"	72"
70'	7' - 0"	8' - 0"	12"	12"	12"	24"	72"
80'	8' - 0"	9' - 0"	12"	12"	12"	24"	72"



Project:	Ground set tapered aluminium flagpole: ALLOY 6063T6	Flagpole Warehouse	Date:
Location:	Exposed Height: 20' - 0" Overall Height: 23' - 0"	3600 Cantrell Industrial CT.	Revision:
Architect:	Butt diameter: 5" Finish: 100 grit polish	Acworth, GA 30101	
Contractor:	Top diameter: 3"	www.flagpolewarehouse.com	
Customer:	Wall Thickness: .188" Ship in: 1 Section	1-800-962-0956	Job:

COMMERCIAL FLAGPOLE LIGHTING FIXTURE

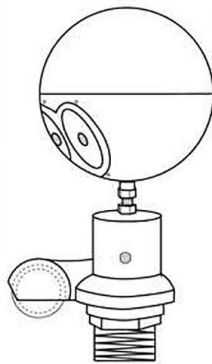
Its patented design lights the flag only and follows the flag as the wind blows it around the flagpole.



Internal Halyard Beacon Included

Features include:

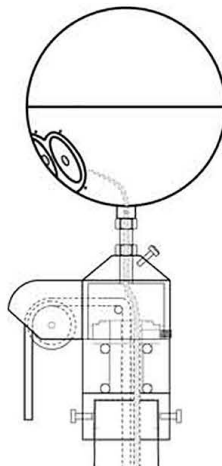
- Revolving Internal Halyard Truck, 359 degrees
- Wire kit 10' past height of pole
- LED Bulb
- Utilizes a winch system to pull up and down the halyard
- Transformer inside fixture. 120V Supply / 12V Output.



External Halyard Beacon

Features include:

- Wiring, length of pole + 10 feet
- 8" Flagpole Beacon
- Revolving 359 degrees
- LED Bulb
- Suitable for 3.5" top diameter poles
- Transformer inside fixture. 120V Supply / 12V Output.



Internal Halyard CAM System Beacon

Features include:

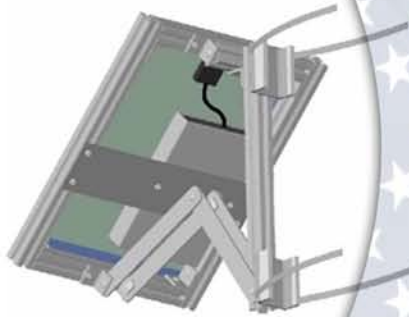
- Wire kit 10' past height of pole
- All Cam units require a pole top adapter
- 8" Flagpole Beacon
- Revolving 359 degrees
- LED Bulb
- Suitable for 20' to 40' poles
- Transformer inside fixture. 120V Supply / 12V Output.



Intertek
4010565
Conforms to UL STD 1598

Project:		Flagpole Warehouse	Date:
Location:		3600 Cantrell Industrial CT.	Revision:
Architect:		Acworth, GA 30101	
Contractor:		www.flagpolewarehouse.com	
Customer:		1-800-962-0956	Job:

Solar Options



Solar Power Complete Package

Includes:

- Solar Collector
- Battery
- Pole mount
- 20, 30 or 40 watt collector
- Custom designs available



Solar Collector

Includes:

- Collector for solar Flagpole Beacon
- 20, 30 or 40 watt
- Custom designs available



Solar Battery Pack

Includes:

- Battery pack for solar Flagpole Beacon
- 9, 12 or 15 Amp available
- 9 Amp - 12 hour run time
- 12 Amp - 24 hour run time
- 15 Amp - 30 hour run time
- Installs behind solar collector
- Easy access to on / off switch



Solar Pole Mount

Includes:

- Mount for 20, 30 and 40 watt solar collector
- Easy to install
- Designs may vary



Intertek
4010565
Conforms to UL STD 1598

Project:		Flagpole Warehouse	Date:
Location:		3600 Cantrell Industrial CT.	Revision:
Architect:		Acworth, GA 30101	
Contractor:		www.flagpolewarehouse.com	
Customer:		1-800-962-0956	Job: