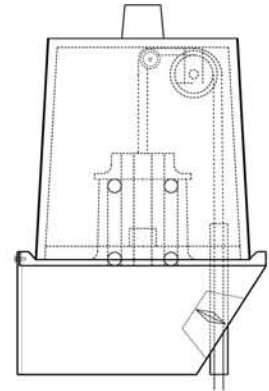


ILLUMINATOR

Model ILIH25



Max unflagged wind speed: 222 mph
 Max flagged wind speed: 120+ mph

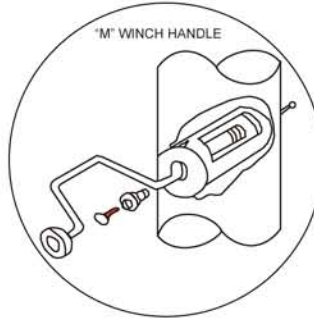


Truck Details

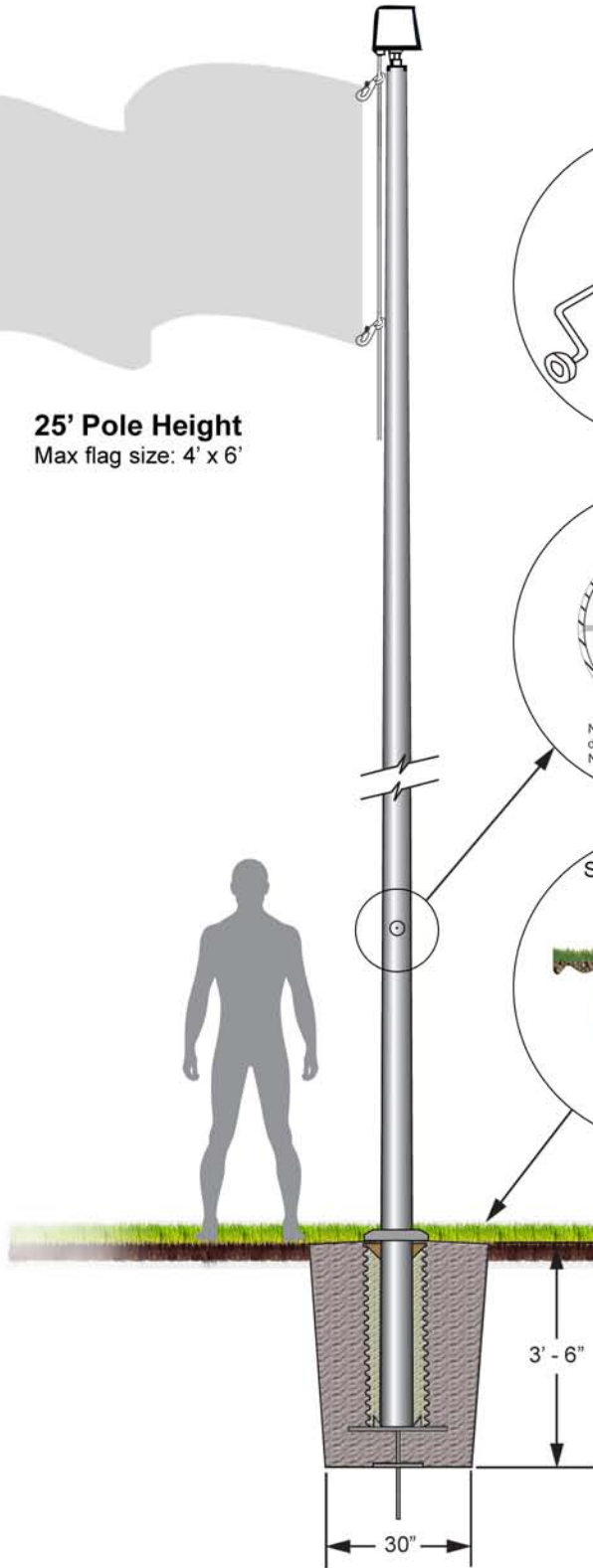
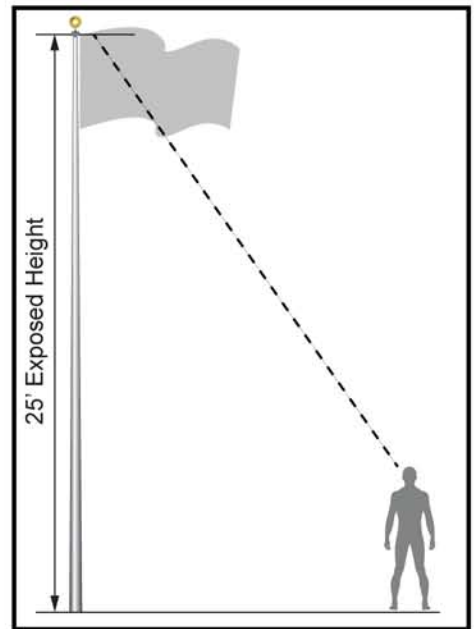
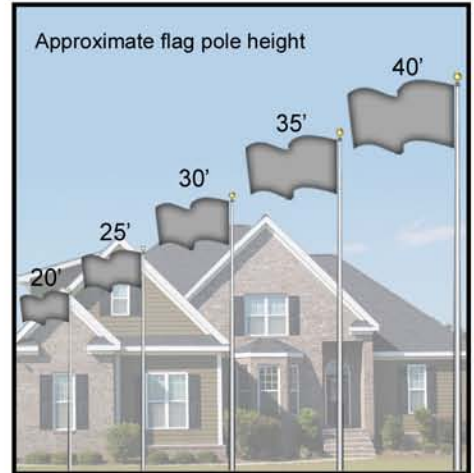
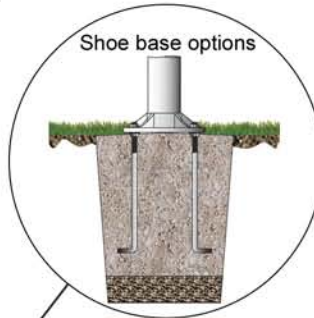
Revolving non-fouling internal halyard truck, cast aluminum, 26 stainless steel ball bearings and 2-1/2" diameter plated steel sheave.



25' Pole Height
 Max flag size: 4' x 6'



No welding required, thus no discoloration when anodized.
 No monthly lubrication.



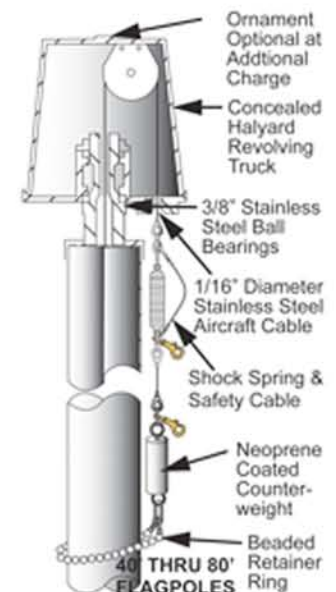
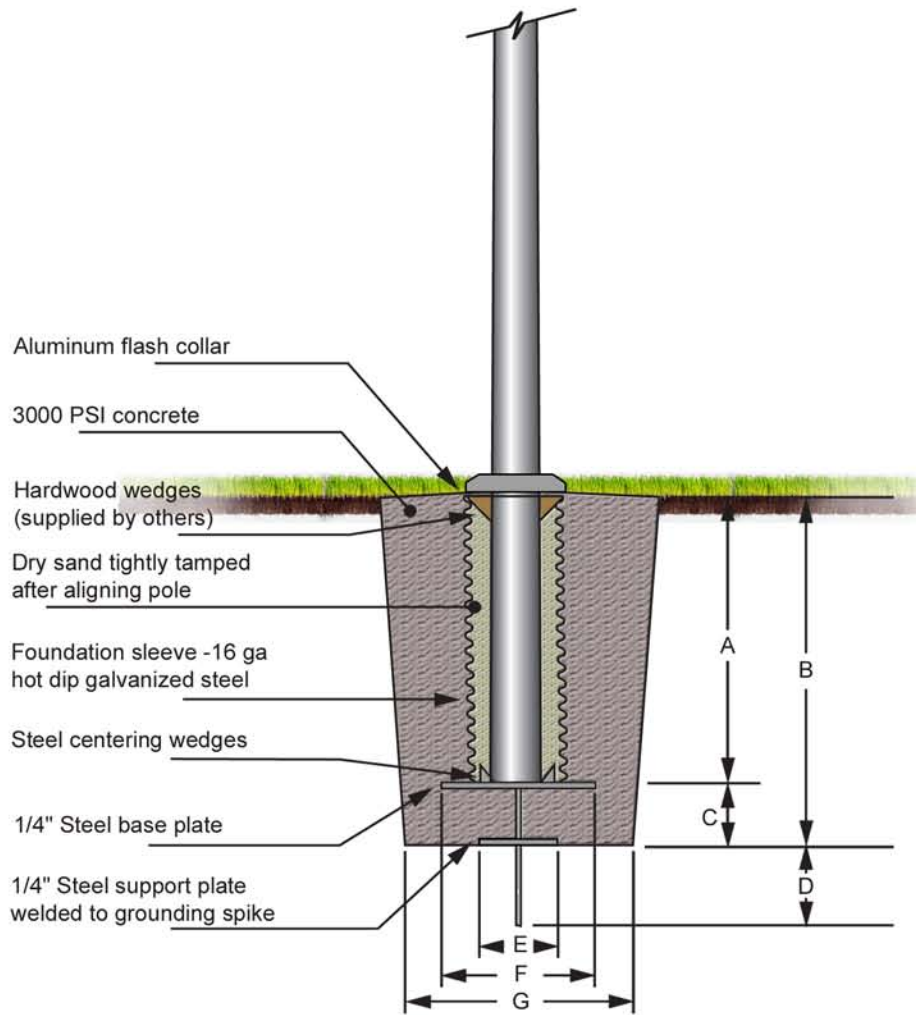
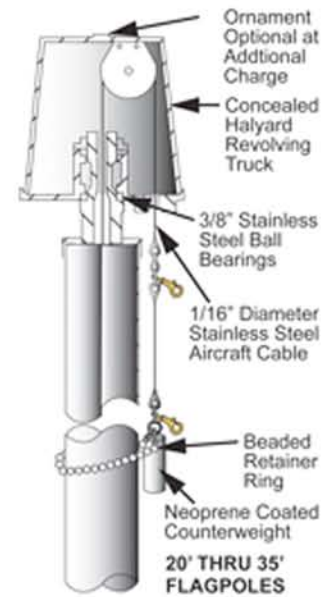
Intertek
 4010565
 Conforms to UL STD 1598

Filename: Arc-EC20.pdf

| | | | |
|-------------|---|------------------------------|-----------|
| Project: | Ground set tapered aluminium flagpole: ALLOY 6063T6 | Flagpole Warehouse | Date: |
| Location: | Exposed Height: 25' - 0" Overall Height: 28' - 0" | 3600 Cantrell Industrial CT. | Revision: |
| Architect: | Butt diameter: 6" Finish: 100 grit polish | Acworth, GA 30101 | |
| Contractor: | Top diameter: 3'-1/2" | www.flagpolewarehouse.com | |
| Customer: | Wall Thickness: .188" Ship in: 1 Section | 1-800-962-0956 | Job: |

Model ILIH25
25' Pole Height

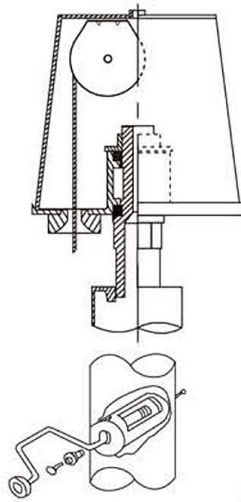
| Pole Height | A | B | C | D | E | F | G |
|-------------|---------|----------|-----|-----|-----|-----|-----|
| 20' | 3' - 0" | 3' - 6" | 6" | 12" | 6" | 12" | 24" |
| 25' | 3' - 0" | 3' - 6" | 6" | 12" | 8" | 16" | 30" |
| 30' | 3' - 0" | 3' - 6" | 6" | 12" | 8" | 16" | 30" |
| 35' | 3' - 6" | 4' - 0" | 6" | 12" | 8" | 16" | 35" |
| 40' | 4' - 0" | 4' - 6" | 6" | 12" | 9" | 18" | 48" |
| 45' | 4' - 0" | 4' - 6" | 6" | 12" | 9" | 18" | 48" |
| 50' | 5' - 0" | 5' - 6" | 6" | 12" | 10" | 20" | 60" |
| 60' | 6' - 0" | 6' - 10" | 10" | 14" | 12" | 24" | 72" |
| 70' | 7' - 0" | 8' - 0" | 12" | 12" | 12" | 24" | 72" |
| 80' | 8' - 0" | 9' - 0" | 12" | 12" | 12" | 24" | 72" |



| | | | |
|-------------|---|---------------------------|--|
| Project: | Ground set tapered aluminium flagpole: ALLOY 6063T6 | Flagpole Warehouse | Date: |
| Location: | Exposed Height: 25' - 0" | Overall Height: 28' - 0" | 3600 Cantrell Industrial CT. Revision: |
| Architect: | Butt diameter: 6" | Finish: 100 grit polish | Acworth, GA 30101 |
| Contractor: | Top diameter: 3'-1/2" | www.flagpolewarehouse.com | |
| Customer: | Wall Thickness: .188" | Ship in: 1 Section | 1-800-962-0956 Job: |

COMMERCIAL FLAGPOLE LIGHTING FIXTURE

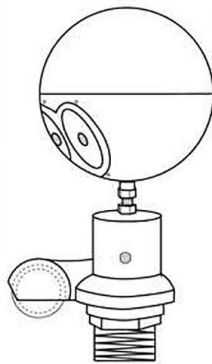
Its patented design lights the flag only and follows the flag as the wind blows it around the flagpole.



Internal Halyard Beacon Included

Features include:

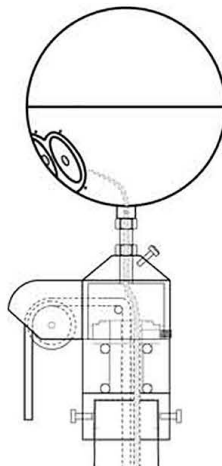
- Revolving Internal Halyard Truck, 359 degrees
- Wire kit 10' past height of pole
- LED Bulb
- Utilizes a winch system to pull up and down the halyard
- Transformer inside fixture. 120V Supply / 12V Output.



External Halyard Beacon

Features include:

- Wiring, length of pole + 10 feet
- 8" Flagpole Beacon
- Revolving 359 degrees
- LED Bulb
- Suitable for 3.5" top diameter poles
- Transformer inside fixture. 120V Supply / 12V Output.



Internal Halyard CAM System Beacon

Features include:

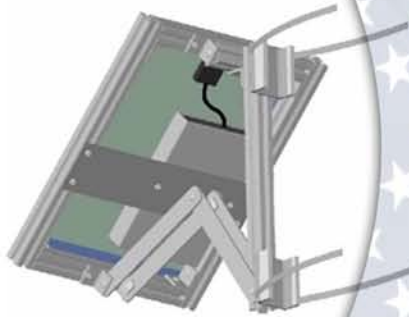
- Wire kit 10' past height of pole
- All Cam units require a pole top adapter
- 8" Flagpole Beacon
- Revolving 359 degrees
- LED Bulb
- Suitable for 20' to 40' poles
- Transformer inside fixture. 120V Supply / 12V Output.



Intertek
4010565
Conforms to UL STD 1598

| | | | |
|-------------|--|------------------------------|-----------|
| Project: | | Flagpole Warehouse | Date: |
| Location: | | 3600 Cantrell Industrial CT. | Revision: |
| Architect: | | Acworth, GA 30101 | |
| Contractor: | | www.flagpolewarehouse.com | |
| Customer: | | 1-800-962-0956 | Job: |

Solar Options



Solar Power Complete Package

Includes:

- Solar Collector
- Battery
- Pole mount
- 20, 30 or 40 watt collector
- Custom designs available



Solar Collector

Includes:

- Collector for solar Flagpole Beacon
- 20, 30 or 40 watt
- Custom designs available



Solar Battery Pack

Includes:

- Battery pack for solar Flagpole Beacon
- 9, 12 or 15 Amp available
- 9 Amp - 12 hour run time
- 12 Amp - 24 hour run time
- 15 Amp - 30 hour run time
- Installs behind solar collector
- Easy access to on / off switch



Solar Pole Mount

Includes:

- Mount for 20, 30 and 40 watt solar collector
- Easy to install
- Designs may vary



Intertek
4010565
Conforms to UL STD 1598

| | | | |
|-------------|--|------------------------------|-----------|
| Project: | | Flagpole Warehouse | Date: |
| Location: | | 3600 Cantrell Industrial CT. | Revision: |
| Architect: | | Acworth, GA 30101 | |
| Contractor: | | www.flagpolewarehouse.com | |
| Customer: | | 1-800-962-0956 | Job: |