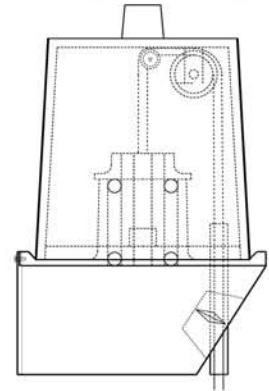


ILLUMINATOR

Model ILXH25



Max unflagged wind speed: 144 mph
Max flagged wind speed: 104 mph

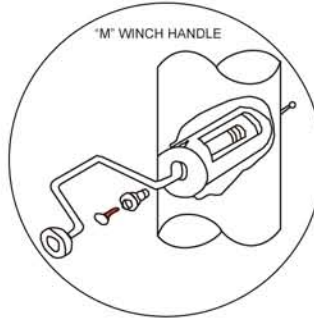


Truck Details

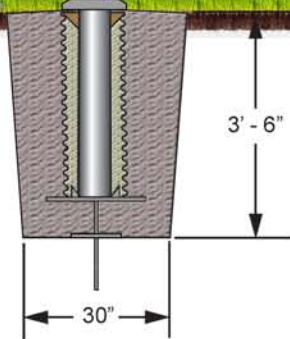
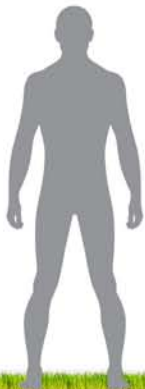
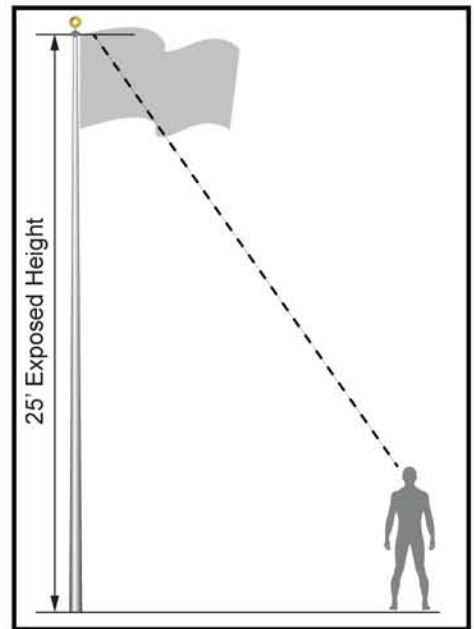
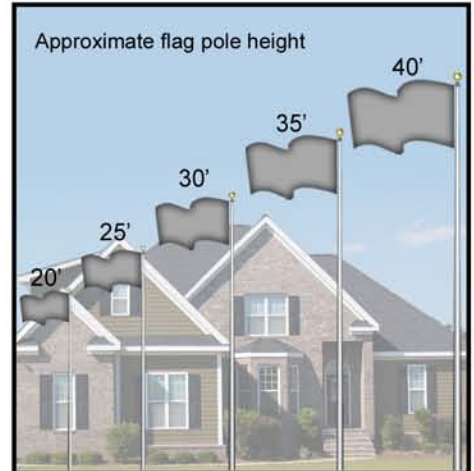
Revolving non-fouling internal halyard truck, cast aluminum, 26 stainless steel ball bearings and 2-1/2" diameter plated steel sheave.



25' Pole Height
Max flag size: 4' x 6'



No welding required, thus no discoloration when anodized.
No monthly lubrication.



Intertek
4010565
Conforms to UL STD 1598

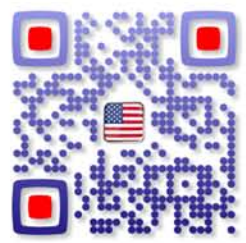
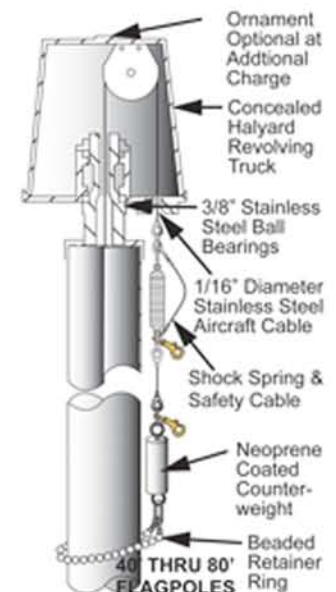
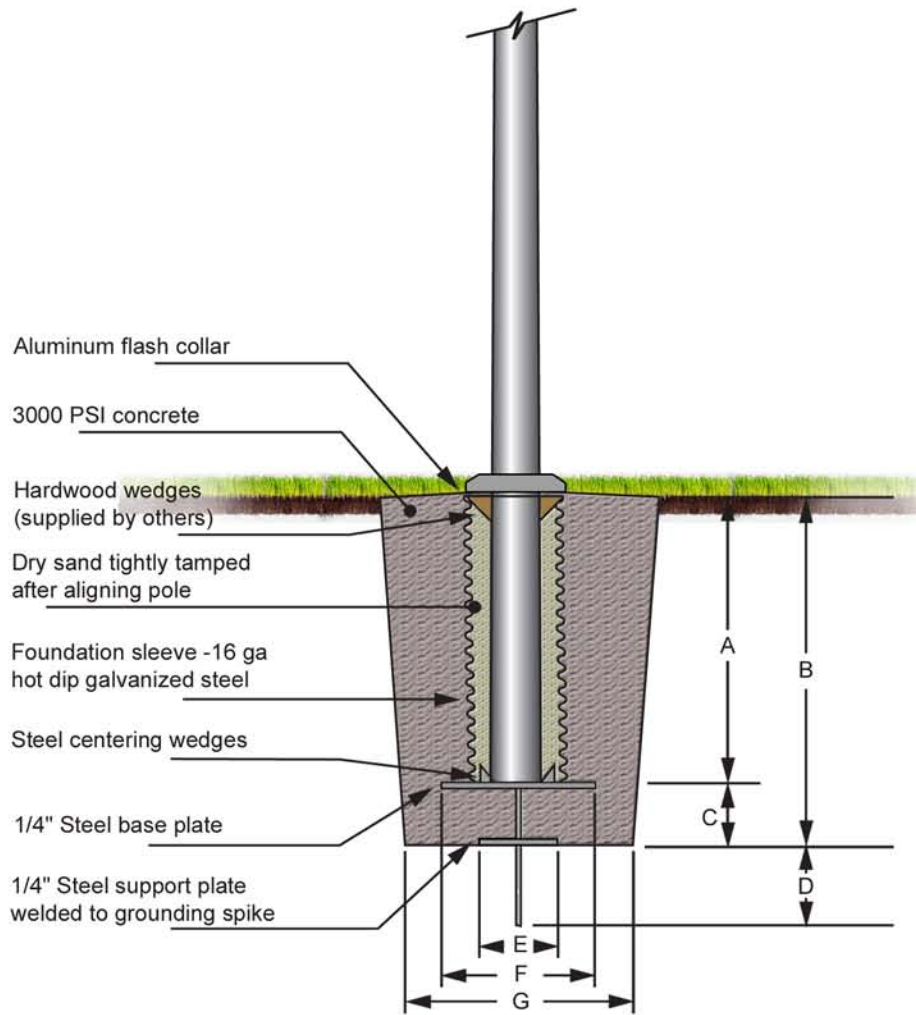
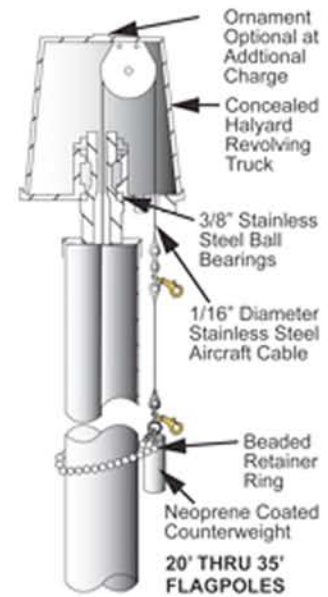


Filename: Arc-EC20.pdf

Project:	Ground set tapered aluminium flagpole: ALLOY 6063T6	Flagpole Warehouse	Date:
Location:	Exposed Height: 25' - 0" Overall Height: 28' - 0"	3600 Cantrell Industrial CT.	Revision:
Architect:	Butt diameter: 5" Finish: 100 grit polish	Acworth, GA 30101	
Contractor:	Top diameter: 3"	www.flagpolewarehouse.com	
Customer:	Wall Thickness: .125" Ship in: 1 Section	1-800-962-0956	Job:

Model ILXIH25
25' Pole Height

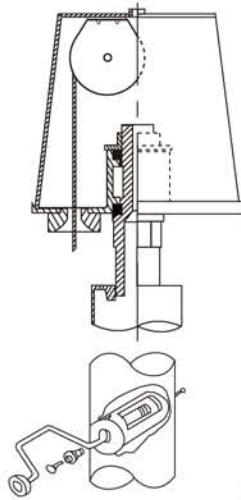
Pole Height	A	B	C	D	E	F	G
20'	3' - 0"	3' - 6"	6"	12"	6"	12"	24"
25'	3' - 0"	3' - 6"	6"	12"	8"	16"	30"
30'	3' - 0"	3' - 6"	6"	12"	8"	16"	30"
35'	3' - 6"	4' - 0"	6"	12"	8"	16"	35"
40'	4' - 0"	4' - 6"	6"	12"	9"	18"	48"
45'	4' - 0"	4' - 6"	6"	12"	9"	18"	48"
50'	5' - 0"	5' - 6"	6"	12"	10"	20"	60"
60'	6' - 0"	6' - 10"	10"	14"	12"	24"	72"
70'	7' - 0"	8' - 0"	12"	12"	12"	24"	72"
80'	8' - 0"	9' - 0"	12"	12"	12"	24"	72"



Project:	Ground set tapered aluminium flagpole: ALLOY 6063T6	Flagpole Warehouse	Date:
Location:	Exposed Height: 25' - 0" Overall Height: 28' - 0"	3600 Cantrell Industrial CT.	Revision:
Architect:	Butt diameter: 5" Finish: 100 grit polish	Acworth, GA 30101	
Contractor:	Top diameter: 3"	www.flagpolewarehouse.com	
Customer:	Wall Thickness: .125" Ship in: 1 Section	1-800-962-0956	Job:

FLAGPOLE BEACON OPTIONS

Its patented design lights the flag only and follows the flag as the wind blows it around the flagpole.



Internal Halyard Beacon

Features include:

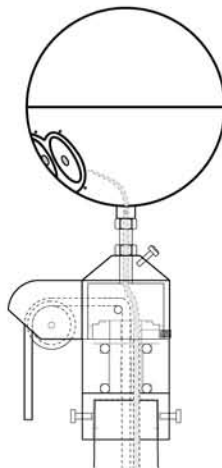
- Revolving Internal Halyard Truck, 359 degrees
- Wire kit 10' past height of pole
- (2) LED Bulb
- Transformer with weather proof box (12 volt system only)
- Utilizes a winch system to pull up and down the halyard



External Halyard Beacon

Features include:

- Wiring, length of pole +10 feet
- Transformer with weather proof box (12 volt system only)
- 8" Flagpole Beacon
- Revolving 359 degrees
- LED Bulb - 110V (12V also available)
- Suitable for 3.5" top diameter poles



Internal Halyard CAM System Beacon

Features include:

- Wire kit 10' past height of pole
- 12 Volt transformer, all-weather box included
- All Cam units require a pole top adapter
- 8" Flagpole Beacon
- Revolving 359 degrees
- LED Bulb - 110V (12V also available)
- Suitable for 20' to 40' poles

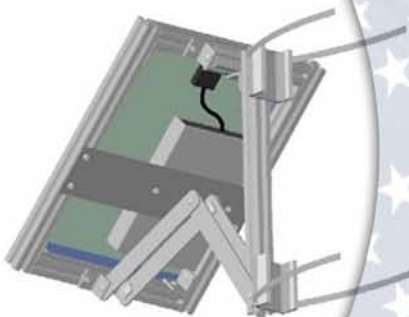


Intertek
4010565
Conforms to UL STD 1598



Project:		Flagpole Warehouse	Date:
Location:		3600 Cantrell Industrial CT.	Revision:
Architect:		Acworth, GA 30101	
Contractor:		www.flagpolewarehouse.com	
Customer:		1-800-962-0956	Job:

Solar Options



Solar Power Complete Package

Includes:

- Solar Collector
- Battery
- Pole mount
- 20, 30 or 40 watt collector
- Custom designs available

Solar Collector

Includes:

- Collector for solar Flagpole Beacon
- 20, 30 or 40 watt
- Custom designs available

Solar Battery Pack

Includes:

- Battery pack for solar Flagpole Beacon
- 9, 12 or 15 Amp available
- 9 Amp - 12 hour run time
- 12 Amp - 24 hour run time
- 15 Amp - 30 hour run time
- Installs behind solar collector
- Easy access to on / off switch

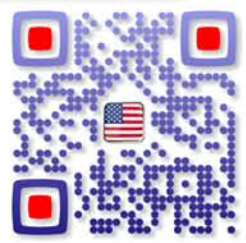
Solar Pole Mount

Includes:

- Mount for 20, 30 and 40 watt solar collector
- Easy to install
- Designs may vary



Intertek
4010565
Conforms to UL STD 1598



Project:		Flagpole Warehouse	Date:
Location:		3600 Cantrell Industrial CT.	Revision:
Architect:		Acworth, GA 30101	
Contractor:		www.flagpolewarehouse.com	
Customer:		1-800-962-0956	Job: