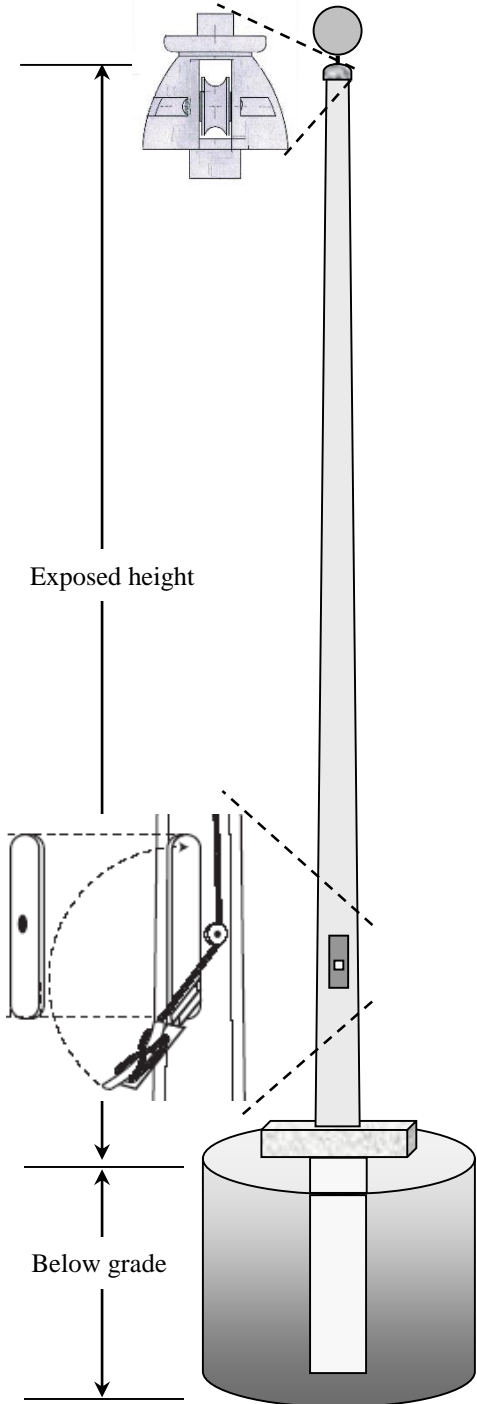


Flagpoles & Banner Poles

Internal Halyard – Large Door (IHL), In-Ground Sleeve



Specifications for Flagpoles T-IHL, and Banner Poles B-IHL					
Model Number	B-20-IHL T-20-IHL	B-24-IHL T-24-IHL	B-30-IHL T-30-IHL	B-35-IHL T-35-IHL	B-40-IHL T-40-IHL
Exposed height		24'	30'	35'	40'
Height below grade		2.5'	3'	3.5'	4.0'
Total length		26.5'	33'	38.5'	44'
Butt diameter		4.8"	5.1"	5.6"	6.0"
Top diameter		2.75"	2.75"	2.75"	2.75"
Wall thickness		0.26"	0.28"	0.30"	0.32"
Flagpole weight		50 lbs.	60 lbs.	83 lbs.	102 lbs.
Weight with tilting base		-	-	-	-
Shipping weight		104 lbs.	128 lbs.	160 lbs.	192 lbs.
External halyard diameter		1/4"	5/16"	5/16"	5/16"
Internal halyard diameter		1/4"	1/4"	1/4"	1/4"
Flash collar (square)		10" X 10"	10" X 10"	10" X 10"	10" X 10"
Finial diameter		4"	5"	5"	6"
Flag clips		Stainless Steel	Stainless Steel	Stainless Steel	Stainless Steel
PVC Cleat		6.3"	6.3"	6.3"	6.3"
Recommended flag size		4' X 6'	5' X 8'	6' X 10'	6' X 10'
Maximum wind un-flagged		200 mph	190 mph	180 mph	160 mph
Maximum wind with flag		160 mph	150 mph	140 mph	130 mph
PVC Sleeve		6" X 30"	6" X 36"	6" X 42"	6" X 48"
Recommended foundation (diameter X height)		30" X 36"	30" X 42"	35" X 48"	35" X 54"

Counterweights on internal halyard poles: 2.5 lbs.

Recommended hole size:
 25-ft pole: D = 30" / H = 36"
 30-ft pole: D = 30" / H = 42"
 35-ft pole: D = 35" / H = 48"
 40-ft pole: D = 35" / H = 54"

6" of gravel must be added to the bottom of the hole to facilitate drainage. Actual depth of concrete is equal to height (H) minus 6"

D = Hole diameter H= Hole height

Foundation

