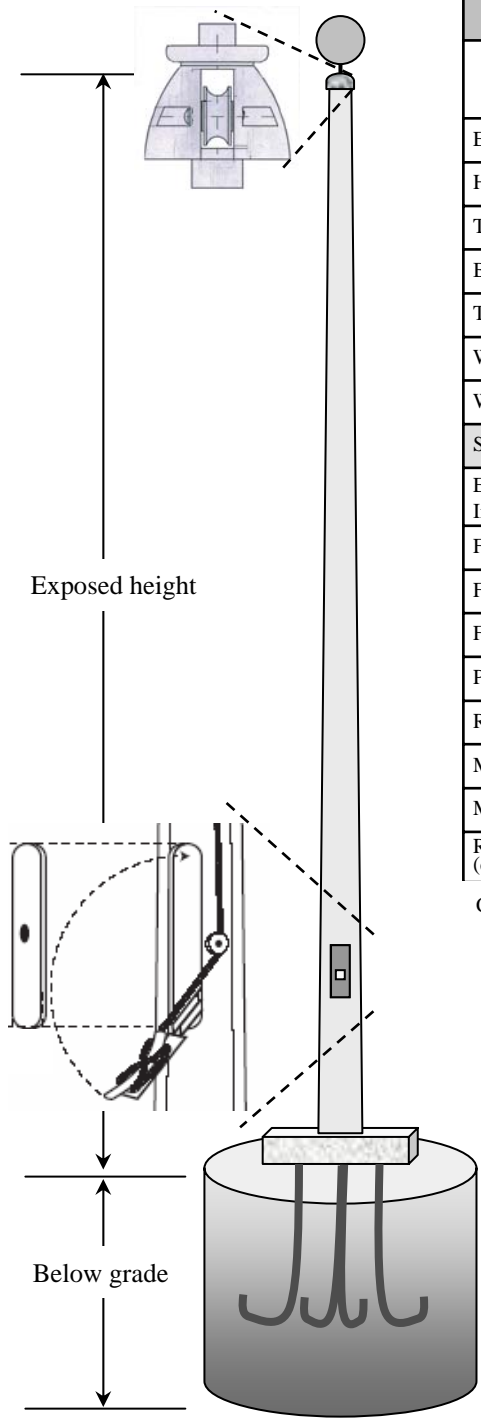


Flagpoles & Banner Poles

Internal Halyard - Large Door (IHL), Tilting Base



Specifications for Flagpoles T-IHL-TB, and Banner Poles B-IHL-TB					
Model Number	B-20-IHL T-20-IHL	B-25-IHL T-25-IHL	B-30-IHL T-30-IHL	B-35-IHL T-35-IHL	B-40-IHL T-40-IHL
Exposed height		25'	30'	35'	40'
Height below grade		2.5'	3'	3.5'	4.0'
Total length		27.5'	33'	38.5'	44'
Butt diameter		4.57"	4.94"	5.30"	5.67"
Top diameter		2.75"	2.75"	2.75"	2.75"
Wall thickness		0.26"	0.28"	0.30"	0.32"
Weight with tilting base		60 lbs	72 lbs	89 lbs	108 lbs
Shipping weight		86 lbs	103 lbs	125 lbs	149 lbs
External halyard diameter		1/4"	5/16"	5/16"	5/16"
Internal halyard diameter		1/4"	1/4"	1/4"	1/4"
Flash collar (square)		10" X 10"	10" X 10"	10" X 10"	10" X 10"
Finial diameter		4"	5"	5"	6"
Flag clips		Nylon	Stainless steel	Stainless steel	Stainless steel
PVC Cleat		5"	7"	7"	7"
Recommended flag size		4' X 6'	5' X 8'	6' X 10'	6' X 10'
Maximum wind un-flagged		200 mph	190 mph	180 mph	160 mph
Maximum wind with flag		160 mph	150 mph	140 mph	130 mph
Recommended foundation (diameter X height)		30" X 36"	30" X 42"	35" X 48"	35" X 54"

Counterweights on internal halyard poles: 2.5 lbs.

