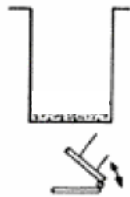


## Tilting Base Set-up

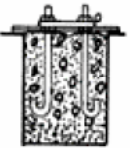
These instructions assume normally packed soil. In case of lightly packed, sandy, humid, or other conditions where concrete block could potentially shift, increase the hole size to create a wider base for greater stability.



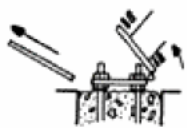
**1**  
Dig a hole in the ground according to measurements indicated in **Drawing A**. Position hinge part of the tilting base toward the side where the flagpole will be tilted. Ensure that enough space is available when tilting flagpole to the ground.



**2**  
Secure anchor rods to plate using nuts (3) and (4). **Set-up according to measurement M** (see Drawing B) and install hinge plate above hole in the ground on top of a cross bar to maintain plate at proper level.



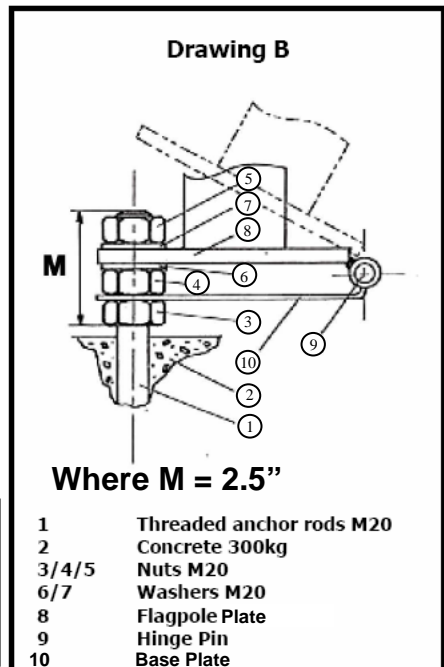
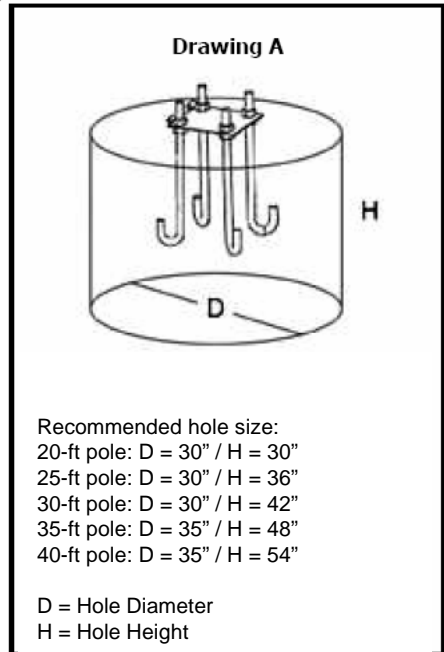
**3**  
Fill hole with concrete up to a level below the lower nuts (3) and ensure correct positioning of the plate.  
**Drying time varies with weather and cement type. Allow one day for quick setting cement and a full week for standard cement.**



**4**  
Once concrete is hard, remove the crossbar, keep nuts (3), (4), and washers (6) in place. Washers (7) and nuts (5) will be used later to secure flagpoles in vertical position.

**5**  
Position flagpole's base plate on hinge plate using the hinge pin (9). Lift flagpole vertically, fit washers (7) and nuts (5) on anchor rods. Check that flagpole is vertical; if not, adjust position by modifying position of nuts (3/4/5), then tighten nuts (5)

**IMPORTANT: Measurement M (distance between bottom nut (3) and top of anchor rod) must be accurate to be able to raise pole completely.**



**Global Flags Unlimited, LLC.**

Call: 800-962-0956 Fax: 770-974-0793

Address: 3600 Cantrell Industrial Ct, Acworth, GA 30101