

4

3

2

1

F

F

E

E

D

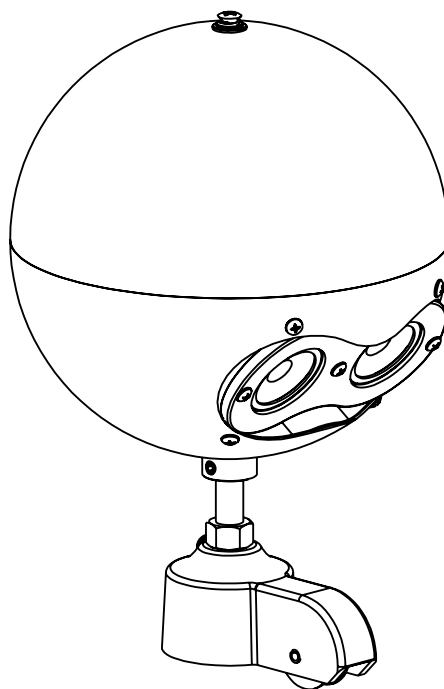
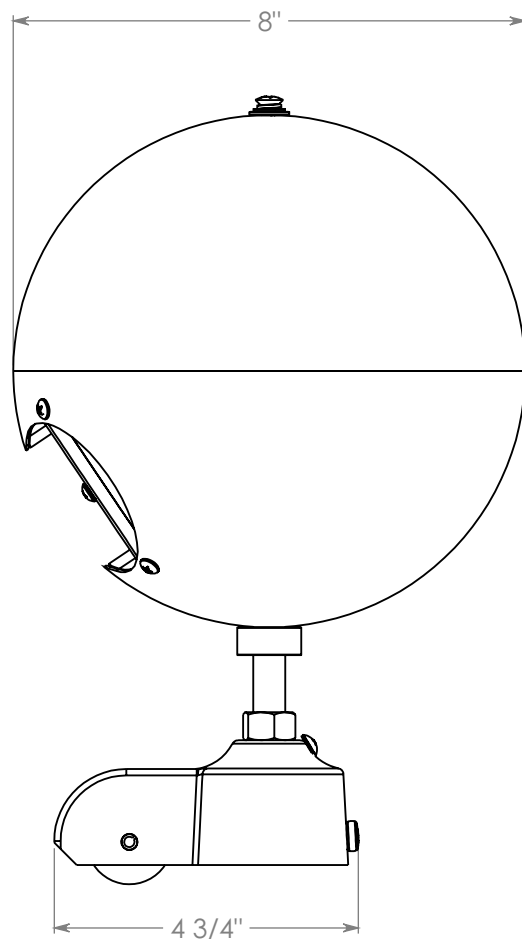
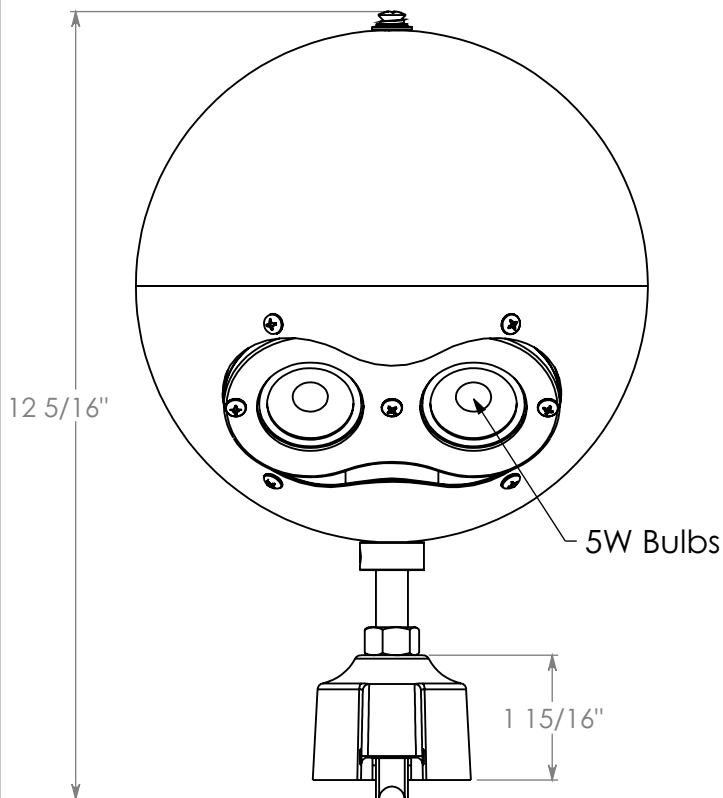
D

C

C

B

B



SPECIFICATIONS

| MECHANICAL PROPERTIES | Max Halyard Size (in.) | Weight (lbs.) | Max Pole Top Dia. (in.) | Rec. Flag Size | |
|-----------------------|------------------------|---------------|-------------------------|-----------------------|--------------------|
| | 5/16 (0.3125) | 4.25 | 2.00 | Up to 5x8 | |
| ELECTRICAL PROPERTIES | Voltage (Volts) | Bulb Type | Brightness (Lumens) | Light Warmth (Kelvin) | Dark Sky Compliant |
| | 110 AC | LED | 800 | 3000 | Yes with visor |

FLAG^{co}

TITLE: Outrigger Stationary Flagpole Beacon 2" Truck 110V

| | | | | |
|--|------------|--------------|------------|--|
| ITEM NO. Gold: 208325 Silver: 209452 | | | REVISION 0 | |
| NAME | DATE | | | |
| DRAWN Christian G. | 11/24/2025 | A4 | | |
| DO NOT SCALE | SCALE:1:3 | SHEET 1 OF 1 | | |

4

3

2

1

A

A