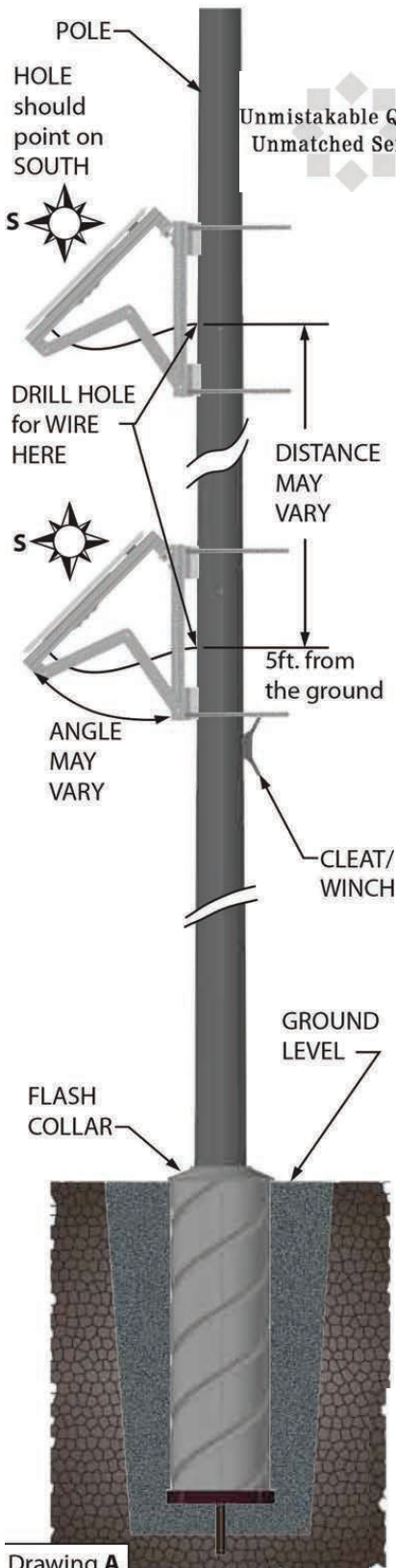


SOLAR OPTION: Solar Side Mount Installation



- Consider the desired location for the flagpole. Be aware of obstructions such as trees, shrubbery, and/or buildings to maintain unobstructed sunlight. (8 hours of direct sunlight is optimal.) Also, proximity of security lights and parking lot lights should be considered because the lights in close proximity of the solar panel can interfere with the automatic ON/OFF functions of the solar option.
- Determine the direction of the prevailing winds in your area (see prevailing winds chart). Also, determine the desired direction for the cleat and the height of the solar panel. (See Drawing A)
- The solar panel should be installed on the opposite side of the cleat/winch, and facing South for optimal sun exposure.
- Locate where the solar panel will be mounted and drill a 5/8" hole to fish the electrical wire out from inside the flagpole. **IMPORTANT:** Drill hole at least 9" above/below the cleat/winch, making sure you do not drill into the area where the sections join together.
- Insert a fish tape thru the 5/8" hole and fish it to the top of the flagpole.
- Unroll the electrical wire the full length of the flagpole to ensure the wire is free of any twist or knots before inserting the wire into top of flagpole. This is extremely important in Internal Halyard Beacon installations.
- Tape the end of the electrical wire to the end of the fish tape and pull the electrical wire into the flagpole and carefully pull excess electrical wire from inside the flagpole out thru the 5/8" hole.
- Apply Loctite to the threads of the Flagpole Beacon and fasten to flagpole securely aligning the green dot to face into the direction of the prevailing winds in your area (see prevailing winds chart).
- With the excess wire pulled thru the 5/8" hole, slide the rubber grommet onto the end of the electrical wire and install into hole. Follow general instructions for erecting the flagpole.
- Make sure the power switch on battery pack is in the OFF position until installation is complete. The switch is for shipping, to turn off automatic ON/OFF functions when a flag is not present, and to charge the battery pack without discharging. Battery will charge even with switch in OFF position.
- Locate/attach the center of the bracket over the 5/8" hole drilled previously and fasten securely to flagpole with the provided clamps.
- Connect the electrical wires (white to white/black to black) inside the junction box and refasten junction box cover.

Drawing A